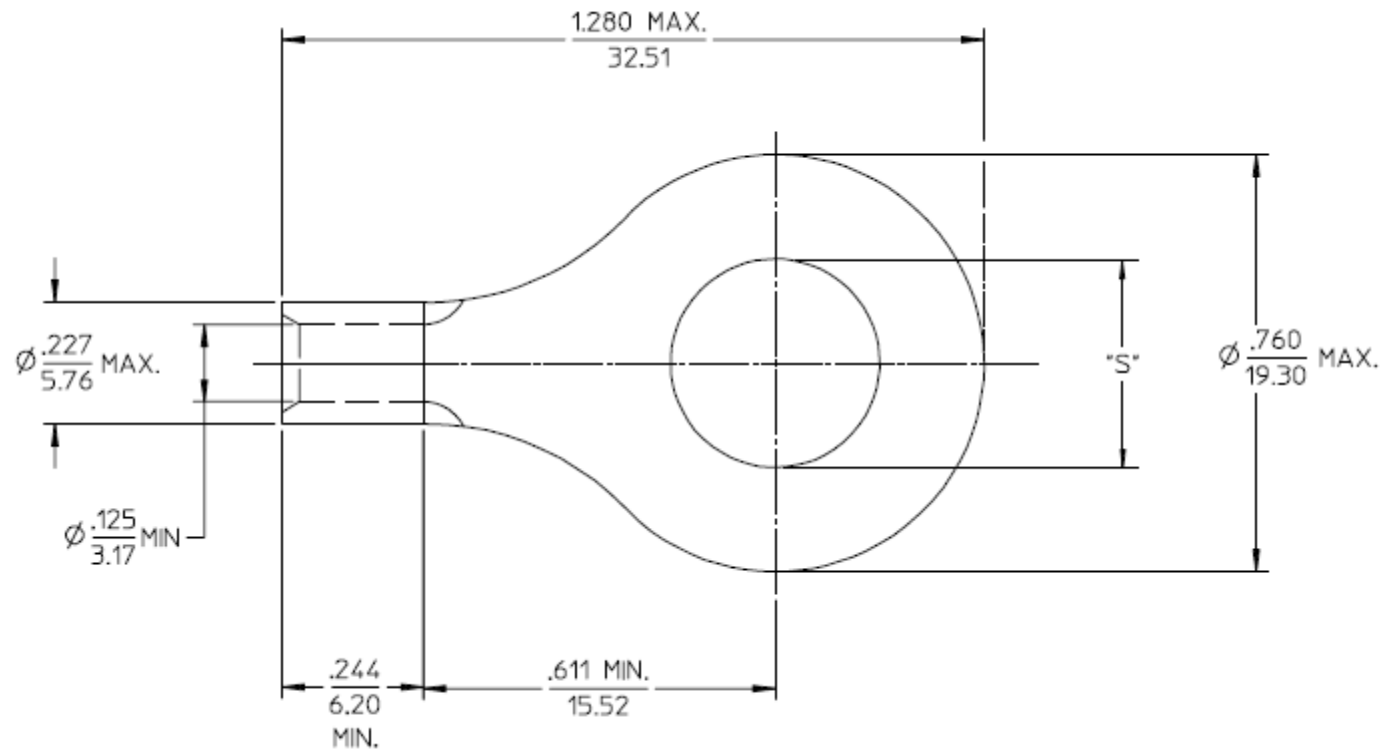


Wire Ring Lug for F Type Connectors



NOTE(S):

1. MATERIAL: COPPER
2. PLATING: ELECTROPLATE TIN
3. ALL DIMENSIONS IN INCHES/(MM).
4. WIRE SIZE: 12-10 AWG
4.0-6.0 MM²