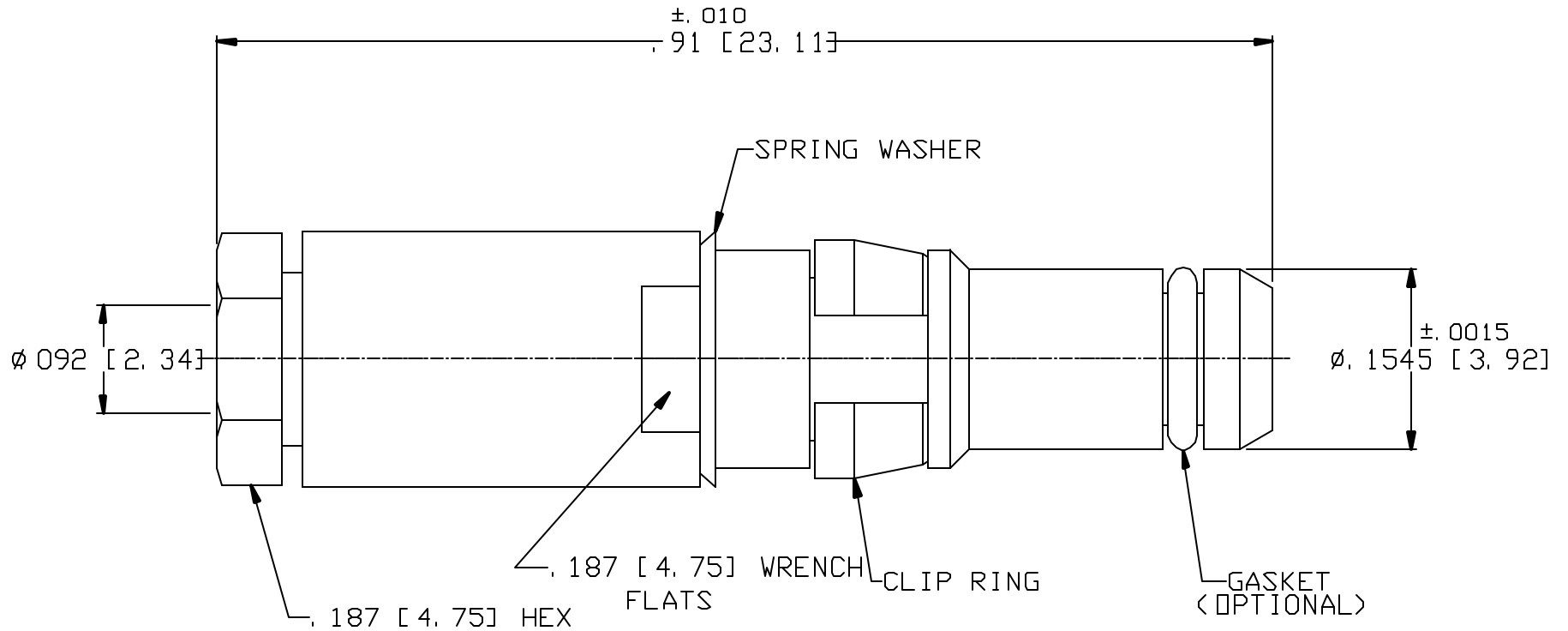


CAD DRAWING - NO MANUAL REVISIONS



NOTES:

1. PROCESS ALL ECN'S PER DS-12.
2. DESIGN AND INTERFACE PER I. D. S. 26.
3. ACCOMMODATES RG405-M17/133 (.086 S.R.) CABLE.
4. CLAMP NUT, FERRULE & BULLET SHIPPED LOOSE.

26D-0030-0860	WITHOUT GASKET
26D-0031-0860	WITH GASKET

				PALCO CONNECTOR 22 GREAT HILL RD., NAUGATUCK, CT 06770 UNLESS OTHERWISE SPECIFIED, PALCO WORKMANSHIP STANDARDS APPLY TOLERANCES ON DECIMALS: XX ±.01, XXX ±.005 ANGLES ±1/2° DIMENSIONS IN INCHES OR (METRIC) DO NOT SCALE PRINTS		DRAWN MY	CHECKED HN	ENGINEER MS	APPROVED HN	FSCM 58167
B	PER ECN 4540	06/10/98	HN			DESCRIPTION RKZ PLUG SOLDER CLAMP				
A	PER ECN 3206	11/10/95	HN			DATE 11/10/95	DRAWING NO. 26D-003X-0860		PLATING OPT. A, B, C, D	
REV.	DESCRIPTION	DATE	APPR.	MAT.	CATALOG ITEM					

THE INFORMATION IN THIS DOCUMENT IS CONFIDENTIAL AND PROPRIETARY AND MAY NOT BE USED FOR ANY PURPOSE WITHOUT THE WRITTEN CONSENT OF PALCO.