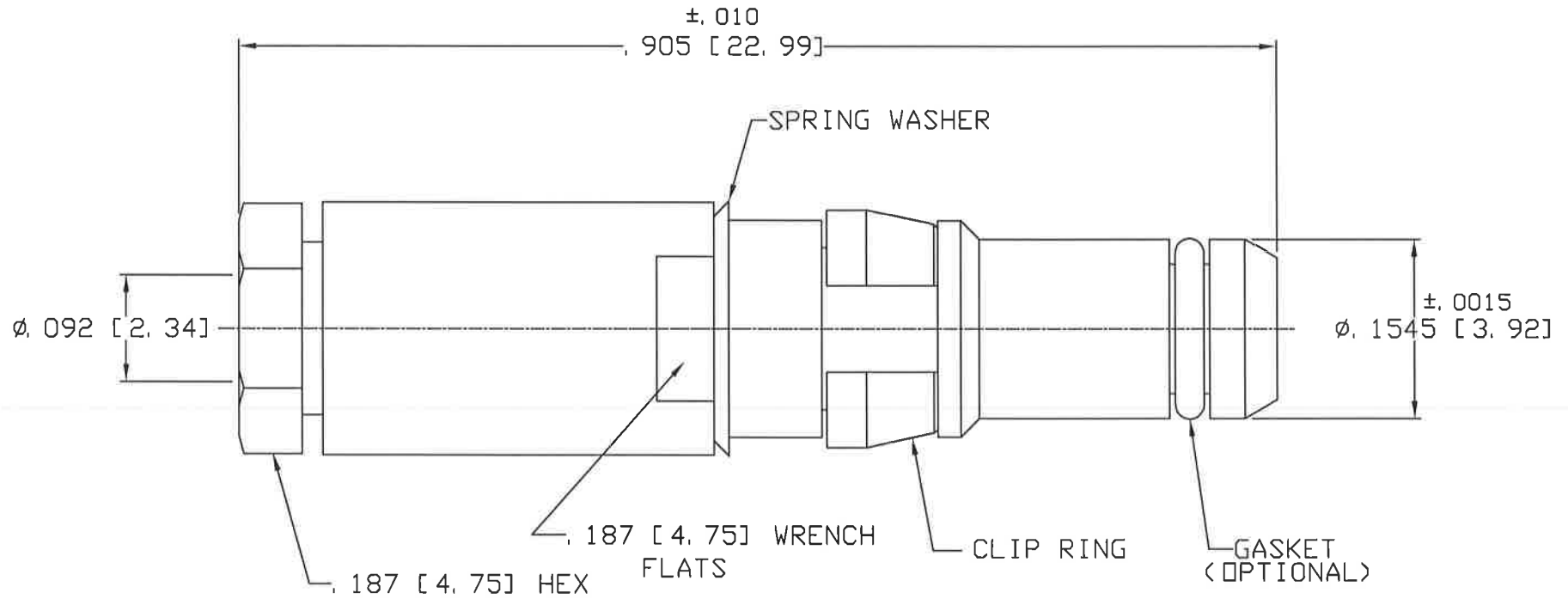


CAD DRAWING - NO MANUAL REVISIONS



26D-0030-0670	WITHOUT GASKET
26D-0031-0670	WITH GASKET

NOTES:

1. DESIGN AND INTERFACE PER I. D. S. 26.
2. ACCOMMODATES RG174, 179, 188 AND 316 CABLES.
3. CLAMP NUT, FERRULE, SPACER & BULLET SHIPPED LOOSE.
4. FOR USE IN DIN 41612 HOUSING.

F	PER ECN 10999	06/22/11	JEM	PALCO CONNECTOR 22 GREAT HILL RD., NAUGATUCK, CT 06770 UNLESS OTHERWISE SPECIFIED, PALCO WORKMANSHIP STANDARDS APPLY TOLERANCES ON: DECIMALS: XX ±.01 .XXX ±.005 ANGLES ±1/2° 32' DIMENSIONS IN INCHES OR (METRIC) DO NOT SCALE PRINTS	DRAWN EK	CHECKED JEM	ENGINEER HN	APPROVED JEM	FSCM 58167
E	PER ECN 10696	11/10/10	JEM			DESCRIPTION PKZ PLUG SOLDER CLAMP			
D	PER ECN 10101	12/03/09	JEM			DATE 09/27/95	DRAWING NO. 26D-003X-0670A, B, C, D	PLATING OPT.	
C	PER ECN 7556	07/27/04	JEM						
B	PER ECN 3380	04/22/96	HN						
REV.	DESCRIPTION	DATE	APPR.	CATALOG ITEM					