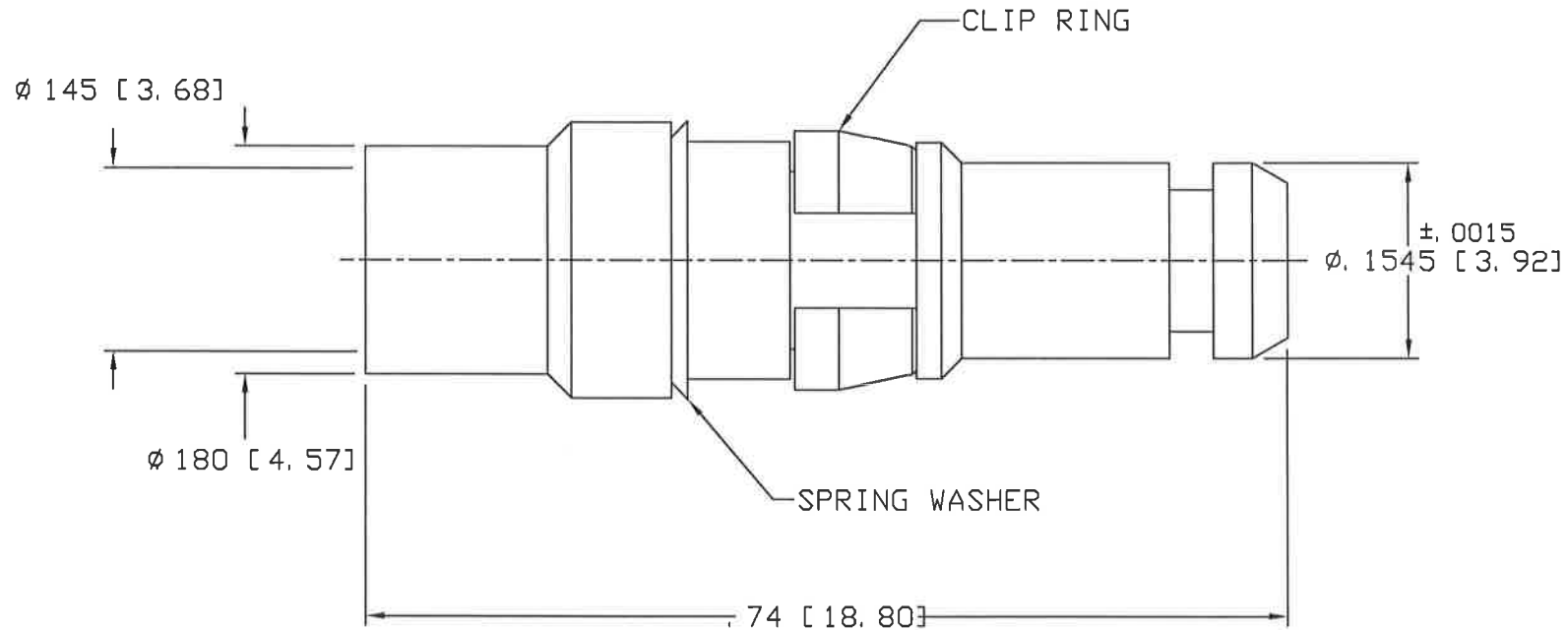


CAD DRAWING - NO MANUAL REVISIONS



NOTES:

1. PROCESS ALL ECN'S PER DS-12.
2. ACCOMMODATES RG402-M17/130 (.141 S.R.) CABLE.

| | | | | | | | | | |
|------|--------------|----------|-------|---|------------------|---|----------------|----------------------------|---------------|
| | | | | PALCO CONNECTOR 22 GREAT HILL RD., NAUGATUCK, CT 06770 UNLESS OTHERWISE SPECIFIED, PALCO WORKMANSHIP STANDARDS APPLY TOLERANCES ON: DECIMALS: XX ±.01, XXX ±.005 ANGLES ±1/2° 32' DIMENSIONS IN INCHES OR (METRIC) DO NOT SCALE PRINTS | DRAWN MY | CHECKED HN | ENGINEER MS | APPROVED HN | FSCM 58167 |
| C | PER ECN 6253 | 09/10/01 | HN | | DATE 11/10/95 | DESCRIPTION PKZ PLUG , FOR USE RG-402 (DIRECT SOLDER) | | PLATING OPT. A, B, C, D | |
| B | PER ECN 4374 | 02/10/98 | HN | REV. DESCRIPTION DATE APPR. CATALOG ITEM | | | | | |
| A | PER ECN 3206 | 11/10/95 | HN | | | | | | |
| REV. | DESCRIPTION | DATE | APPR. | | | | | | |