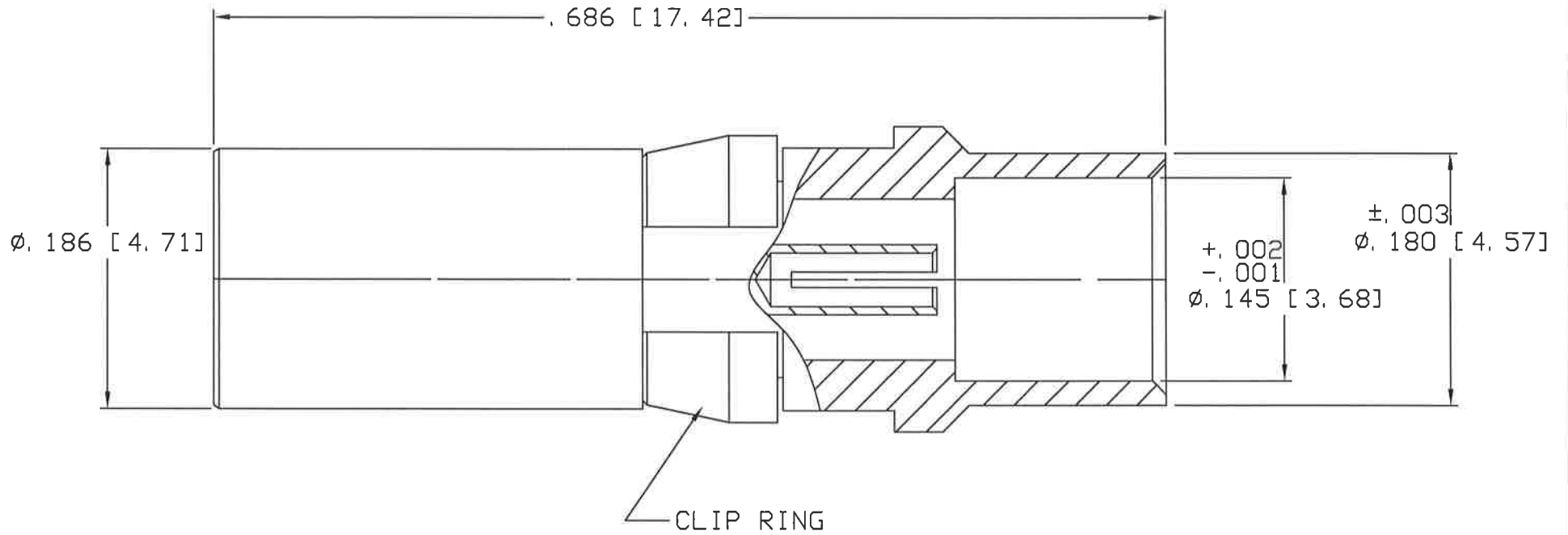


CAD DRAWING - NO MANUAL REVISIONS



NOTES:

1. DESIGN AND INTERFACE PER I. D. S. -26.
2. PROCESS ALL ECN'S PER DS-12.
3. ACCOMMODATES RG-402 S/R (.141 SEMI-RIGID) CABLE.

				<p>PALCO CONNECTOR</p> <p>22 GREAT HILL RD., NAUGATUCK, CT 06770</p> <p>UNLESS OTHERWISE SPECIFIED, PALCO WORKMANSHIP STANDARDS APPLY</p> <p>TOLERANCES ON: DECIMALS: XX ±.01 .XXX ±.005 ANGLES ±1/2° 32</p> <p>DIMENSIONS IN INCHES OR (METRIC) DO NOT SCALE PRINTS</p> <p>CATALOG ITEM</p>	DRAWN YT	CHECKED HN	ENGINEER YT	APPROVED HN	FSCM 58167
K	PER ECN 10186	02/15/10	JEM			DESCRIPTION PKZ RECEPTACLE DIRECT SOLDER (RG-402)			
J	PER ECN 9579	10/21/08	JEM			DATE 06/14/88			
I	PER ECN 8019	06/03/05	JM		DRAWING NO. 26-1020-1410		PLATING OPT. A, B, C, D		
H	PER ECN 7224	12/16/03	HN						
REV.	DESCRIPTION	DATE	APPR.						

THE INFORMATION IN THIS DOCUMENT IS CONFIDENTIAL AND PROPRIETARY AND MAY NOT BE USED FOR ANY PURPOSE WITHOUT THE WRITTEN CONSENT OF PALCO.