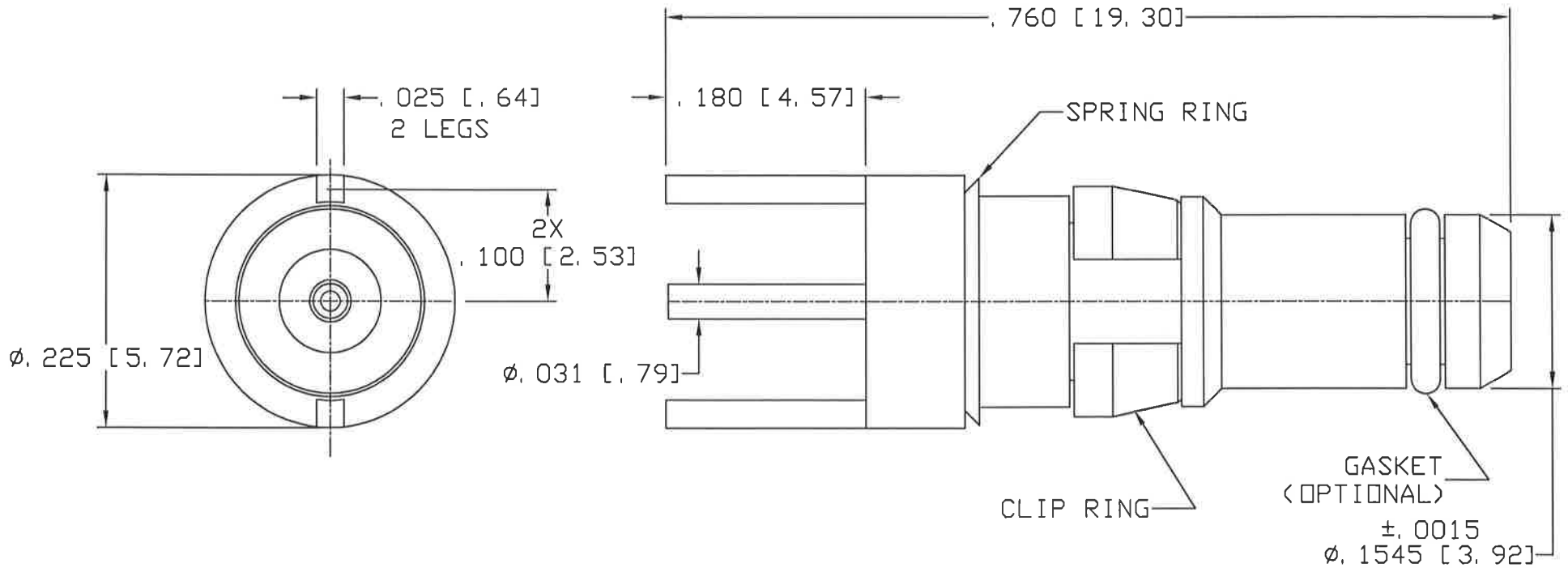


CAD DRAWING - NO MANUAL REVISIONS



26-0450-63	WITHOUT GASKET
26-0451-63	WITH GASKET

NOTES:

1. DESIGN AND INTERFACE PER I. D. S. -26.
2. MOUNTING HOLES PER DS-16D, TYPE II.

				PALCO CONNECTOR 22 GREAT HILL RD., NAUGATUCK, CT 06770 UNLESS OTHERWISE SPECIFIED, PALCO WORKMANSHIP STANDARDS APPLY TOLERANCES ON: DECIMALS: XX ±.01 .XXX ±.005 ANGLES ±1/2° 32' DIMENSIONS IN INCHES OR (METRIC) DO NOT SCALE PRINTS	DRAWN JEM	CHECKED HN	ENGINEER JEM	APPROVED HN	FSCM 58167
G	PER ECN 10282	04/14/10	JEM		DATE 05/29/91	DESCRIPTION PKZ , STRAIGHT, PLUG, PC MOUNT		PLATING OPT. A, B, C, D	
F	PER ECN 8895	04/13/07	JEM	CATALOG ITEM					
E	PER ECN 2677	11/29/94	HN						
REV.	DESCRIPTION	DATE	APPR.						