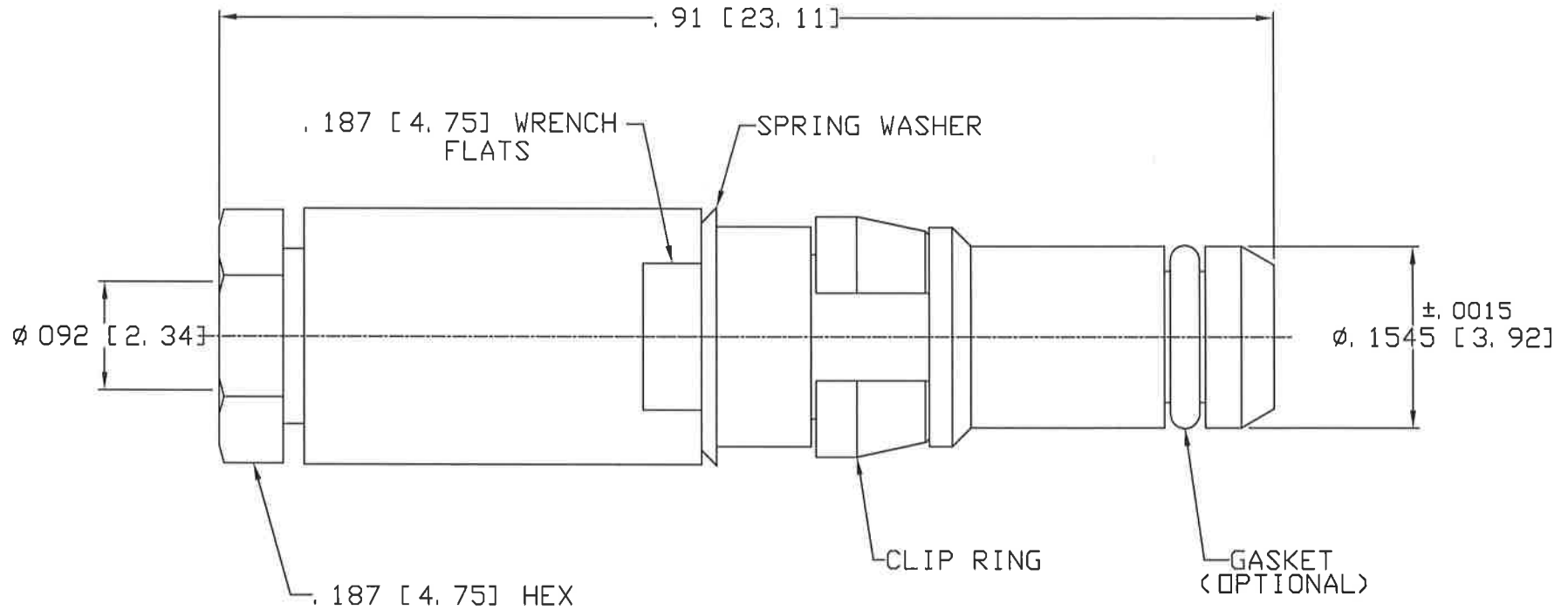


CAD DRAWING - NO MANUAL REVISIONS



26-0030-0860	WITHOUT GASKET
26-0031-0860	WITH GASKET

NOTES:

1. DESIGN AND INTERFACE PER I. D. S. 26.
2. ACCOMMODATES RG405-M17/133 (.086 S. R.) CABLE.
3. CLAMP NUT, FERRULE & BULLET SHIPPED LOOSE.

S	PER ECN 11004	06/22/11	JEM	<b>PALCO CONNECTOR</b> 22 GREAT HILL RD., NAUGATUCK, CT 06770 UNLESS OTHERWISE SPECIFIED, PALCO WORKMANSHIP STANDARDS APPLY TOLERANCES ON: DECIMALS: XX ±.01 .XXX ±.005 ANGLES ±1/2° 32' DIMENSIONS IN INCHES OR (METRIC) DO NOT SCALE PRINTS	DRAWN MY	CHECKED HN	ENGINEER YT	APPROVED HN	FSCM 58167
R	PER ECN 10683	11/05/10	JEM		DESCRIPTION PKZ PLUG SOLDER CLAMP				
P	PER ECN 10187	02/15/10	JEM						
Q	PER ECN 10110	12/04/09	JEM						
N	PER ECN 6082	12/03/01	HN						
REV.	DESCRIPTION	DATE	APPR.	CATALOG ITEM	DATE 03/07/91	DRAWING NO. 26-003X-0860		PLATING OPT. A, B, C, D	

THE INFORMATION IN THIS DOCUMENT IS CONFIDENTIAL AND PROPRIETARY AND MAY NOT BE USED FOR ANY PURPOSE WITHOUT THE WRITTEN CONSENT OF PALCO.