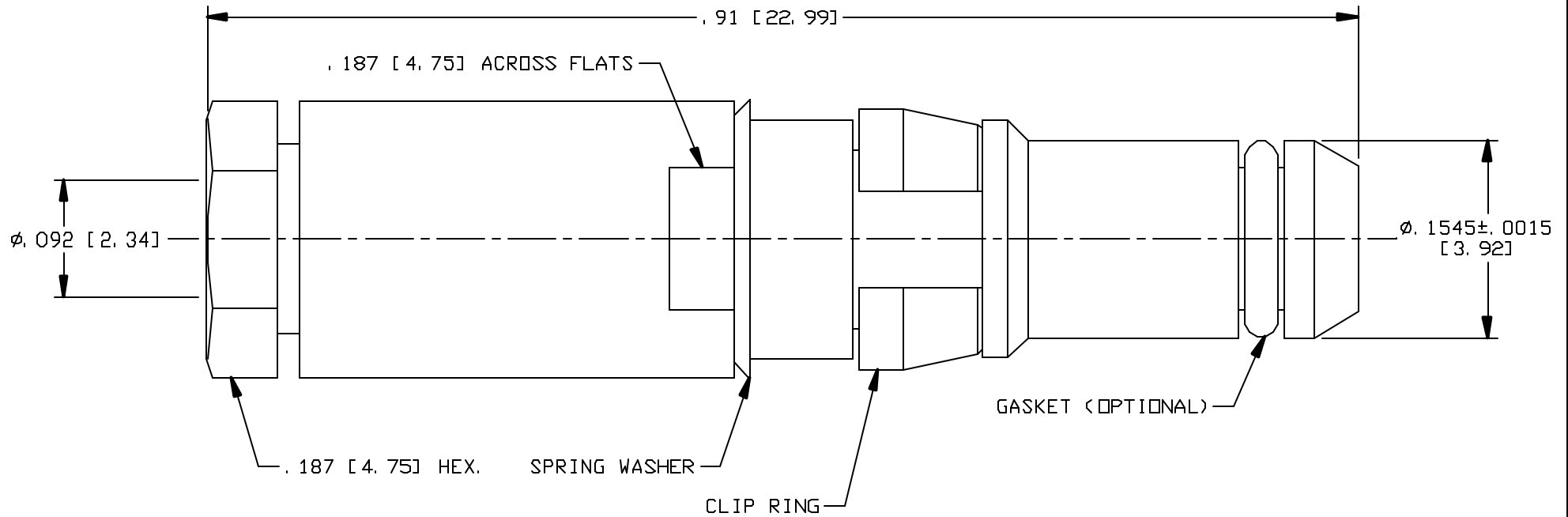


CAD DRAWING - NO MANUAL REVISIONS



NOTES:

1. DESIGN AND INTERFACE PER I. D. S. -26.
2. BULLET, FERRULE, CLAMP NUT AND SPACER SHIPPED LOOSE.
3. FOR USE WITH M17/113 (RG-316) OR EQUIVALENT CABLE.

26-0030-0670	WITHOUT GASKET
26-0031-0670	WITH GASKET

R	PER ECN 11004	06/22/11	JEM	PALCO CONNECTOR 22 GREAT HILL RD., NAUGATUCK, CT 06770 UNLESS OTHERWISE SPECIFIED, PALCO WORKMANSHIP STANDARDS APPLY TOLERANCES ON: DECIMALS: XX ± .01 .XXX ± .005 ANGLES ±1/2° 32' DIMENSIONS IN INCHES OR (METRIC) DO NOT SCALE PRINTS	DRAWN KJT	CHECKED HN	ENGINEER YT	APPROVED HN	FSCM 58167
P	PER ECN 10689	11/08/10	JEM			DESCRIPTION SOLDER/CLAMP PKz PLUG			
N	PER ECN 10297	04/21/10	JEM			DATE 10/01/99	DRAWING NO. 26-003X-0670	PLATING OPT. A, B, C, D	
M	PER ECN 10109	12/04/09	JEM						
L	PER ECN 7143	08/18/03	HN						
REV.	DESCRIPTION	DATE	APPR.						