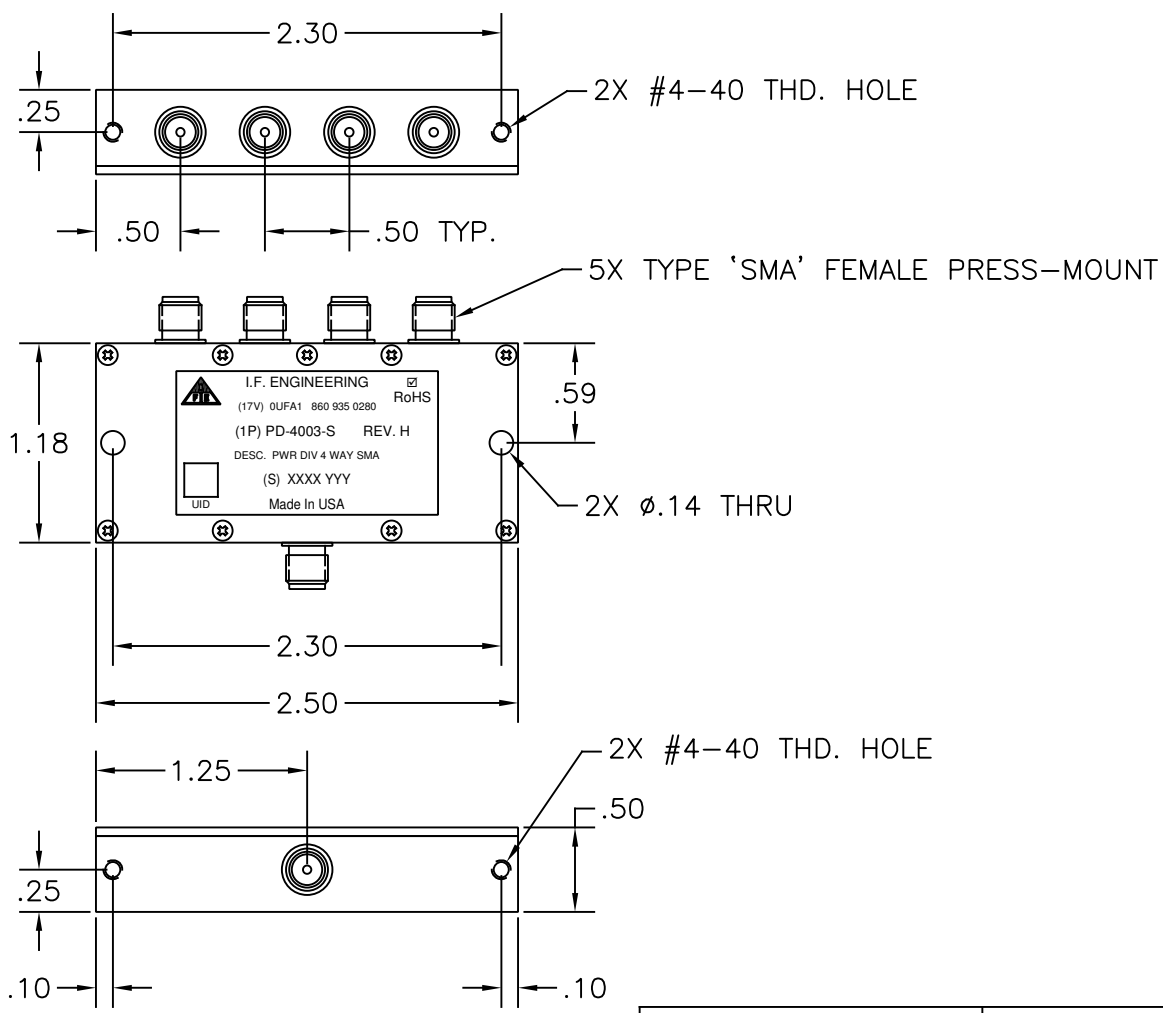


THIS DOCUMENT CONTAINS PROPRIETARY INFORMATION. ANY REPRODUCTION, DISCLOSURE, OR USE OF ITS CONTENTS IS EXPRESSLY PROHIBITED EXCEPT AS AUTHORIZED BY I.F. Engineering Corp

REVISION			
LTR.	DESCRIPTION	DATE	APPVL.
D	REDRAWN (NEW CHASSIS)	12/29/04	MJD
E	correct chassis	6-15-05	CL
F	CHANGED PER ECN 0850001	12/9/08	MJD
G	CHANGED PER ECN 0931001	7/29/09	MJD
H	ECO #1713003	4/14/17	MJD



ELECTRICAL SPECIFICATION FOUR WAY POWER DIVIDER	
FREQUENCY RANGE (MHZ)	10-500
ISOLATION (dB) MIN.	30
* INSERTION LOSS (dB) MAX.	0.75
AMPLITUDE BAL. (dB) MAX.	±0.2
PHASE BAL. (°) MAX.	±3.0
VSWR MAX.	
IN	1.3:1
OUT	1.3:1
IMPEDANCE (OHMS) NOM.	50
TEMPERATURE RANGE (°C)	0 TO +70

* NOTE: INSERTION LOSS DOES NOT INCLUDE THEORETICAL LOSS.

**RoHS
Compliant**

- NOTES:
1. MATERIAL: CHASSIS & COVER ALUMINUM
 2. FINISH: CLEAR CHROMATE
 3. SPECIFICATION SUBJECT TO CHANGE WITHOUT NOTICE

UNLESS OTHERWISE SPECIFIED DRAWING PRACTICES PER ASME Y14.100	DRAWN LCF	DATE 2/14/96
TOLERANCES ANGLES ±1/2° .XX ±.01 .XXX ±.005	ENGRG APPD CL	DATE 9/29/05
SURFACE ⁶³ REMOVE BURRS ROUGHNESS ✓ SHARP EDGES	MFG APPD EDW	DATE 9/29/05
MATERIAL: SEE NOTE 1	QA APPD EDW	DATE 9/29/05
FINISH: SEE NOTE 2	RELEASED -	DATE -

***I F E* ENGINEERING**
3 FOSHAY ROAD, DUDLEY MA 01571

TITLE
**OUTLINE DRAWING
PD-4003-S**

SIZE A	CODE IDENT NO. OUFA1	DRAWING NO. 004-028-181	REV. H
SCALE N/A	SHEET 1 OF 1		