

4

3

2

1

SPECIFICATIONS

ELECTRICAL
 FREQUENCY RANGE _____ DC TO 12.4 GHz

ATTENUATION
 0-6 dB _____ ±0.3 dB
 7-10, 20 dB _____ ±0.5 dB
 11-19, 21-30 dB _____ ±0.75 dB
 40 dB _____ ±1.0 dB
 50, 60 dB _____ ±2.0 dB
 (AVAILABLE IN 1/2 dB VALUES 0.5 - 10.5 dB)

VSWR
 DC-4 _____ 1.15:1 MAX
 4-12.4 _____ 1.25:1 MAX

POWER (AVG) _____ 2 WATTS 0.5 dB AND ABOVE
 50 WATTS FOR 0 dB UNIT
DERATED LINEARLY FROM 100% @+25°C TO 10% @ +125°C

POWER (PEAK) _____ 500 WATTS
 5 μS PULSE W, 0.05% DUTY CYCLE

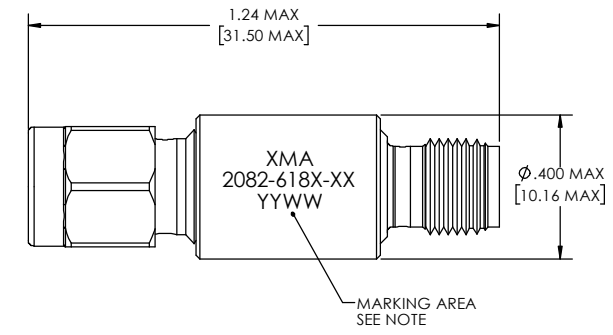
IMPEDANCE _____ 50 OHMS

MECHANICAL
 OPERATING TEMP RANGE _____ -65 TO +125°C
 1.24 LENGTH / WEIGHT MAX _____ 0.40oz. (11.3g)
 1.80 LENGTH / WEIGHT MAX _____ 0.60oz. (15.3g)

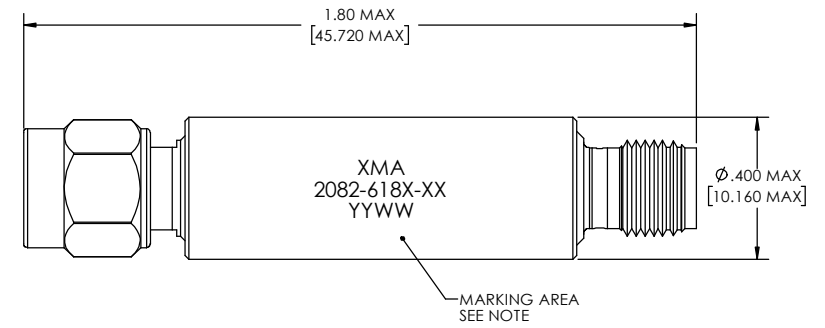
MATERIAL
 OUTER CONDUCTOR _____ STAINLESS STEEL NON
 MAGNETIC, PASSIVATED FINISH.
 CENTER CONDUCTOR _____ BERYLLIUM COPPER, GOLD PLATED
 FINISH.
 DIELECTRIC _____ TEFLON.
 MATERIALS & FINISHES TYPICALLY PER MIL-PRF-39012

MARKING
 PART LOOKS LIKE PRODUCT IMAGE ABOVE.
 PART MARKING ORIENTATION AND FORMAT AS SHOWN.
 MARKING TO BE AS LARGE AS POSSIBLE, CLEAR, READABLE, AND A
 BLACK COLOR.
 REPLACE "X-XX" WITH PART NUMBER SPECIFIED ON WORK ORDER.

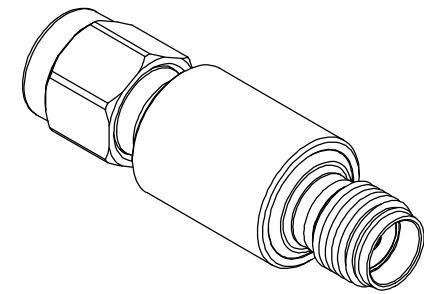
| REVISIONS | | | | |
|-----------|--------------------------|--------|---------|----------|
| REV | DESCRIPTION | ECO # | DATE | APPROVED |
| A | REVISED TO C SIZE FORMAT | | 9/9/10 | DS |
| B | UPTAED FORMAT | 17-075 | 5/23/17 | T.KUHN |
| | | | | |



0 THRU 30 dB



40, 50, & 60 dB



| PLUG JACK | dB VALUE | PLUG JACK | dB VALUE |
|--------------|----------|-----------------------|----------|
| 2082-6181-01 | 1.0 | 2082-6184-14 | 6.5 |
| 2082-6181-02 | 0.5 | 2082-6184-15 | 7.0 |
| 2082-6181-03 | 1.0 | 2082-6184-16 | 7.5 |
| 2082-6182-04 | 1.5 | 2082-6184-17 | 8.0 |
| 2082-6182-05 | 2.0 | 2082-6184-18 | 8.5 |
| 2082-6182-06 | 2.5 | 2082-6184-19 | 9.0 |
| 2082-6183-07 | 3.0 | 2082-6184-20 | 9.5 |
| 2082-6183-08 | 3.5 | 2082-6185-30 | 10.0 |
| 2082-6183-09 | 4.0 | 2082-6185-40 (1.24LG) | 10.5 |
| 2082-6183-10 | 4.5 | 2082-6186-40 | 11.0 |
| 2082-6184-11 | 5.0 | 2082-6186-50 | 12.0 |
| 2082-6184-12 | 5.5 | 2082-6186-60 | 13.0 |
| 2082-6184-13 | 6.0 | | |

| QTY. | PART NUMBER | DESCRIPTION | ITEM NO. |
|------|------------------|---|----------|
| X | 2082-618X-dB | ATTENUATOR, SMA-m/f, DC-12.4GHz, 2W | |
| 1 | TA-2082-618X-dBU | ASSY, ATTENUATOR, SMA-m/f, DC-12.4GHz, 2W, UNMARKED | 1 |

| | | | |
|--|---|---|--|
| <small>DRAWING PRACTICES PER ANSI Y14.5 DIMENSIONS ARE IN INCHES AND APPLY BEFORE/AFTER PROCESSING</small> SURFACE ROUGHNESS FINISHES SEE NOTES MATERIAL: SEE NOTES NOTE: THIS DRAWING INCORPORATES THIRD ANGLE PROJECTION. INTERPRET LAW ANSI Y14.5-1982 | <small>UNLESS OTHERWISE SPECIFIED TOLERANCES IN: DECIMALS INCH (MM) .X" .05" [1.27] .XX" .03" [.76] .XXX" .010" [.25] </small> <small>ANGLES ±0°30' REMOVE ALL BURRS/SHARP W/ BREAK / R OF .003" TO .0005" UNLESS OTHERWISE NOTED DIAS CONCENTRIC <.003 T.I.R. </small> <small>DO NOT SCALE PRINT</small> | <small>DRAWN</small> T.KUHN 7/28/10 <small>CHECKED</small> 7/28/10 <small>ENG APPR.</small> SAUNDERS | <small>DATE</small> 7/28/10 <small>DATE</small> 7/28/10 |
| | | | |
| | | ATTENUATOR, SMA-m/f, DC-12.4GHz, 2W | |
| <small>SIZE</small> C | <small>CAGE CODE</small> 3HT76 | <small>DRAWING NUMBER</small> 2082-618X-dB | <small>REV</small> B |
| <small>SCALE</small> PLATED AREA 50 IN | | <small>SHEET 1 OF 1</small> | |

4

3

2

1