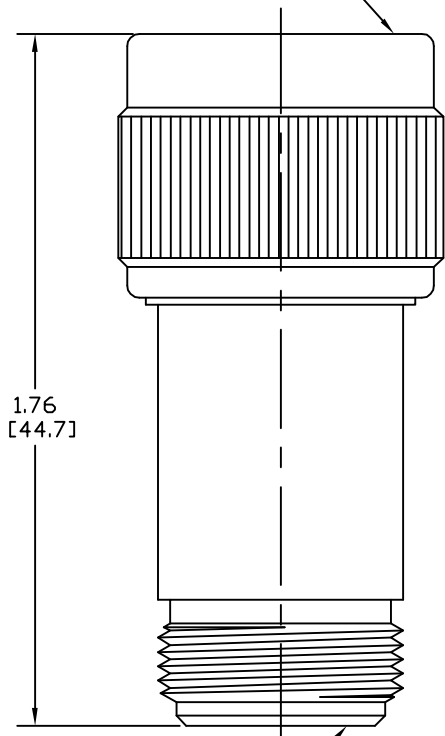


**PRODUCTION  
RELEASE**

NOTE:  
THIS DRAWING INCORPORATES  
THIRD ANGLE PROJECTION  
INTERPRET IAW ANSI Y14.5-1995

REVISIONS		
REV	DESCRIPTION	APPROVED
-	RELEASED	7/28/10 A. Gagne

MATES W/ TYPE N  
IAW MIL-STD-348



MATES W/ TYPE N  
IAW MIL-STD-348

**ELECTRICAL**

FREQUENCY RANGE \_\_\_\_\_ DC- 6.0 GHz

ATTENUATION ACCURACY ACROSS FREQ. RANGE

01-06 dB	±0.30 dB
07-12 & 20 dB	±0.50 dB
13-19 & 30 dB	±0.75 dB
40 dB	±1.50 dB

VSWR

DC - 2.5 GHz	1.20:1 MAX
DC - 6.0 GHz	1.25:1 MAX

INPUT POWER \_\_\_\_\_ 2 WATTS AVG. @ 25°C  
DERATES LINEARLY TO 10% @ 125°C FROM 25°C

RF LEAKAGE/RFI \_\_\_\_\_ >65 dBc (>90 dBc TYP.)

PEAK POWER \_\_\_\_\_ 500 WATTS  
(5µSec PULSE WIDTH, .05% DUTY CYCLE)

IMPEDANCE \_\_\_\_\_ 50 OHMS

OPERATING TEMP RANGE \_\_\_\_\_ -65°C TO +125°C

CONFORMANCE TESTING IS 100% ATTENUATION AND V.S.W.R.  
ACROSS SWEEPED FREQUENCY RANGE AT 20-25°C

**MECHANICAL**

CONNECTOR BODIES \_\_\_\_\_ NICKEL PLATED BRASS

CENTER CONDUCTORS \_\_\_\_\_ GOLD PLATED BERYLLIUM COPPER

INSULATORS \_\_\_\_\_ PTFE (TEFLON) IAW ASTM-D1710

RESISTIVE ELEMENT \_\_\_\_\_ THIN FILM ON CERAMIC RESISTIVE CIRCUIT  
NOT A HERMETIC SEALED UNIT

**RoHS Compliant Device**

MATERIALS, ENVIRONMENTAL PERFORMANCE & FINISHES COMPLY TO MIL-DTL-3933

DRAWING PRACTICES PER ANSI-Y14.5 MIL-STD-100 & 1000	UNLESS OTHERWISE SPECIFIED DIMENSIONS IN	DRAWN D. SAUNDERS	DATE
DIMENSIONS ARE IN INCHES AND APPLY BEFORE/AFTER PROCESSING	DECIMALS INCH MM	CHECKED	DATE
SURFACE ROUGHNESS	.XX" .XXX" .XXXX"	ENG.	DATE
FINISH	ANGLES	THESE DRAWINGS AND SPECIFICATIONS ARE THE PROPERTY OF XMA CORP. OR OMNI SPECTRA AND SHALL NOT BE REPRODUCED, COPIED NOR USED - IN WHOLE OR IN PART - AS A BASIS FOR THE MANUFACTURE OR SALE OF OTHER ITEMS WITHOUT THE EXPRESS WRITTEN PERMISSION OF XMA CORP.	
SEE NOTES	UNLESS OTHERWISE NOTED DIAS CONCENTRIC <.003 T.I.R.		
MATERIAL	SEE NOTES		

www.XMACorp.com Sales@XMACorp.com

**XMA** Omni Spectra®  
Phone: 603-222-2256 Fax: 603-222-2259  
150 Dow Street, Manchester, NH 03101

Powered by:

TITLE  
**ATTENUATOR**  
TYPE N, 2 W, 18 GHz

SIZE C	CAGE CODE 3HT76	DWG NO. 3082-615X-DB
SCALE 4:1	PLATING AREA SQUARE INCHES	XXX

SHEET 1 OF 1