

5

4

3

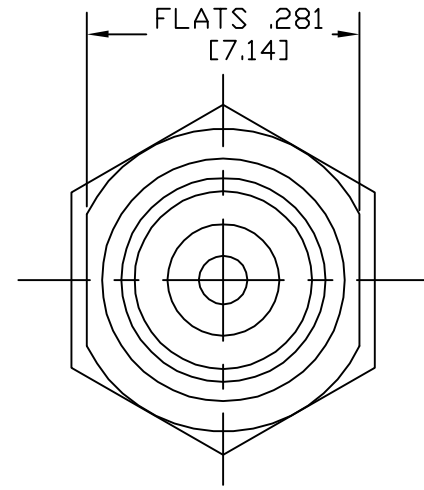
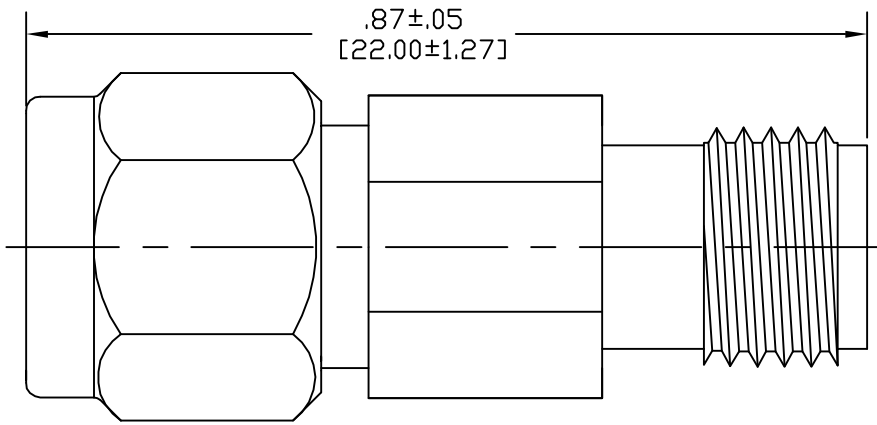
2

1

**PRODUCTION
RELEASE**

NOTE:
THIS DRAWING INCORPORATES
THIRD ANGLE PROJECTION.
INTERPRET IAW ANSI Y14.5-1982

REVISIONS			
LTR	DESCRIPTION	DATE	APPROVED
B1	26.5 - 40GHz	1/19/11	TAK



M07
NOTES:

1. MATERIAL:
HOUSING: STAINLESS STEEL IAW ASTM-A484 & ASTM-A582,
ALLOY 303, COND A
CONTACT: BERYLLIUM COPPER
DIELECTRIC - HIGH TEMPERATURE PLASTIC BEAD

2. FINISH:
HOUSING - PASSIVATED STAINLESS STEEL
CONDUCTOR - GOLD PLATED IAW MIL-PRF-39012

3. ELECTRICALS:
FREQUENCY RANGE DC - 40GHz
AVAILABLE dB VALUES 0 - 6, 8, 10, 15, 20 & 30 dB
ATTENUATION ACCURACY DC - 26.5GHz 26.5 - 40GHz
0 - 6, 8 dB ±0.5dB ±0.8dB
10, 15 & 20 dB ±0.6dB ±1.0dB
30 dB ±0.8dB
VSWR (Max) DC-18 GHz 18 - 40GHz
<1.30 <1.40
POWER (AVG) @25°C SEE TABLE
Derates linearly to 10% at +125°C
IMPEDANCE 50 OHMS
OPERATING TEMPERATURE RANGE °C -55 to +125

4882-6X40-dB	POWER LEVEL
X = 0	0.5 WATT
X = 1	1 WATT
X = 2	2 WATT

DRAWING PRACTICES PER ANSI-Y-14.5 MIL-STD-100 & 300	
DIMENSIONS ARE IN INCHES AND APPLY BEFORE/AFTER PROCESSING	
SURFACE ROUGHNESS INCHES	63 ✓
FINISH	SEE NOTES
MATERIAL	SEE NOTES

UNLESS OTHERWISE SPECIFIED TOLERANCES IN:		
DECIMALS	INCH	MM
.X"	.03"	[.76]
.XX"	.010"	[.25]
.XXX"	.005	[.127]
.XXXX"	.0005"	[.013]
ANGLES ±0°30'		
REMOVE ALL BURRS/SHARP W/ BREAK / R OF .003" TO .0005" UNLESS OTHERWISE NOTED. DIAS CONCENTRIC <.003 T.I.R.		

DRAWN	T. KUHN	DATE	6/12/07
CHECKED		DATE	
ENGINEER APPR.	T. KUHN	DATE	5/13/09

XMA Powered by:
Omni Spectra®
Phone:603-222-2256 Fax:603-222-2259
150 Dow Street, Manchester, NH 03101

TITLE
**2.92 mm, M/F, ATTENUATOR,
DC-40GHz**

SIZE	CAGE CODE	DRAWING NUMBER
B	3HT76	4882-6X40-dB
SCALE	8:1	SHEET 1 OF 1

5

4

3

2

1

BCS1