

4

3

2

1

SPECIFICATIONS

ELECTRICAL

FREQUENCY RANGE _____ DC - 65 GHz

STANDARD dB VALUES _____ SEE CHART A

ATTENUATION ACCURACY _____	DC - 26.5 GHz	26.5 - 40 GHz	40 - 60 GHz	60 - 65 GHz
3, 6 dB _____	±0.75 dB	±1.0 dB	±1.5 dB	±1.5 dB
10 dB _____	±0.75 dB	±1.25 dB	±1.5 dB	±1.75 dB
15 & 20 dB _____	±1.0 dB	±1.25 dB	±2.0 dB	±2.5 dB
30 dB _____	±1.25 dB	±1.5 dB	±2.0 dB	±5.0 dB

VSWR (MAX) _____	DC-26.5 GHz	26.5 - 40 GHz	40 - 65 GHz
	<1.35	<1.55	<1.65

INPUT POWER (AVG. MAX.) _____ 1 WATT @25°C SEE TABLE
DERATES LINEARLY TO 10% AT +100°C from + 25°

IMPEDANCE _____ 50 OHMS

OPERATING/STORAGE TEMP. RANGE ___ -55 TO +100°C

MATERIAL

HOUSING: STAINLESS STEEL IAW ASTM-A484 & ASTM-A582, ALLOY 303, COND A

CONTACT: BERYLLIUM COPPER

DIELECTRIC - TEFLON

FINISH

HOUSING - PASSIVATED STAINLESS STEEL

CONDUCTOR - GOLD PLATED IAW MIL-PRF-39012

MARKING

PART LOOKS LIKE PRODUCT IMAGE ABOVE.

PART MARKING ORIENTATION AND FORMAT AS SHOWN (CURVED SURFACE).

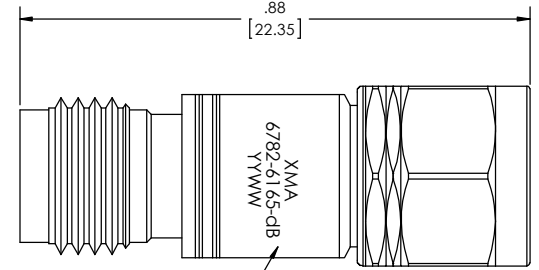
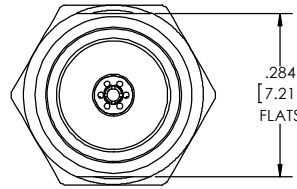
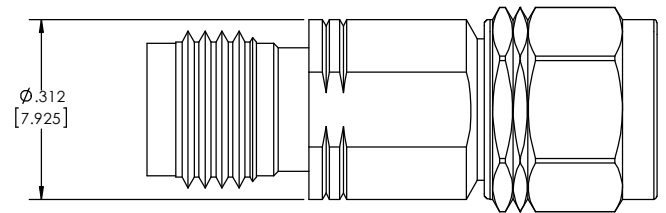
dB = SEE WORK ORDER FOR TWO DIGIT dB VALUE.

MARKING TO BE AS LARGE AS POSSIBLE. .020" SHOWN.

TEXT HEIGHT IS SUGGESTED ONLY, FIT AS DICTED.

YYWW EQUALS DATE CODE.

REVISIONS				
REV	DESCRIPTION	ECO #	DATE	APPROVED
X2	REDRAWN IN SOLIDWORKS	14-ER016	7/18/14	T.KUHN
X3	ADDED DATE CODE	14-ER016	9/23/15	T.KUHN



MARKING AREA SEE NOTE

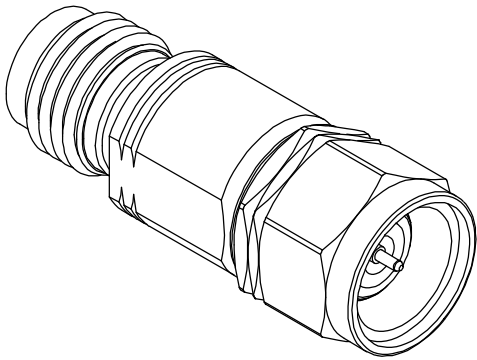


CHART A	
-dB	dB VALUE
03	3
06	6
10	10
20	20
30	30

QTY.	PART NUMBER	DESCRIPTION	ITEM NO.
X	6782-6165-dB	ATTENUATOR, 1.85mm, MALE TO FEMALE, DC-65 GHz, 1 WATT	
1	TA-6782-6165-dBU	ASSEMBLY, ATTENUATOR, 1.85mm, MALE TO FEMALE, DC-65 GHz, 1 WATT, UNMARKED	1

DRAWING PRACTICES PER ANSI Y14.5 DIMENSIONS ARE IN INCHES AND APPLY BEFORE/AFTER PROCESSING SURFACE FINISH: 63 FINISH:	UNLESS OTHERWISE SPECIFIED TOLERANCES IN: DECIMALS INCH (MM) .X" .05" [1.27] .XX" .03" [.76] .XXX" .01" [.25]	DRAWN: MCCORMICK07/16/14 DATE: 07/16/14 CHECKED: MCCORMICK07/16/14 DATE: 07/16/14 ENG APPR: T.KUHN DATE: 07/16/14
MATERIAL: NOTE: THIS DRAWING INCORPORATES THIRD ANGLE PROJECTION.	ANGLES ±0°30' REMOVE ALL BURRS/SHARP W/ BREAK / R OF .003" TO .0005" UNLESS OTHERWISE NOTED DIAS CONCENTRIC <.003 T.I.R.	THESE DRAWINGS AND SPECIFICATIONS ARE THE PROPERTY OF XMA CORP. OR OMNI SPECTRA AND SHALL NOT BE REPRODUCED, COPIED NOR USED IN WHOLE OR IN PART AS A BASIS FOR THE MANUFACTURE OR SALE OF OTHER ITEMS WITHOUT THE EXPRESS WRITTEN PERMISSION OF XMA CORP.
INTERPRET IAW ANSI Y14.5-1982	DO NOT SCALE PRINT	TITLE: ATTENUATOR, 1.85mm, MALE TO FEMALE, DC-65 GHz, 1 WATT SIZE: C CAGE CODE: 3HT76 DRAWING NUMBER: 6782-6165-dB REV: X3

Phone: 603-222-2256 Fax: 603-222-2259
150 Dow Street, Manchester, NH 03103

SCALE: PLATED AREA 50 IN

SHEET 1 OF 1

4

3

2

1