

4

3

2

1

SPECIFICATIONS

**PRODUCTION
RELEASE**

NOTE:
THIS DRAWING INCORPORATES
THIRD ANGLE PROJECTION
INTERPRET IN ACCORDANCE WITH
ANSI Y14.5-1992

REVISIONS		APPROVED
REV	DESCRIPTION	
A1	REVISED ZERO DB TO 3	12/07/2010 D. Saunders

ELECTRICAL

FREQUENCY RANGE: DC TO 6.0 GHz

STANDARD VALUES 0-12, 15, 20, 30 dB

INSERTION LOSS:	0	+ 0.3 dB
	1-6 dB	± 0.5 dB
	7-12 & 20 dB	± 0.5 dB
	30 dB	±0.75 dB

VSWR(MAX):	1.15:1 (DC TO 2.5 GHz)	
	(2.5 TO 6.0 GHz)	
	0-6dB	1.20
	7-12dB	1.25
	15, 20dB	1.30
	30dB	1.35

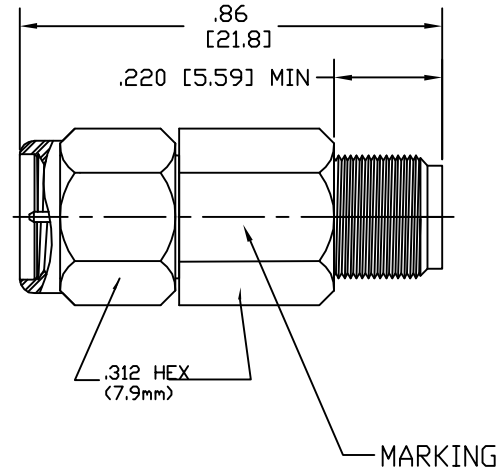
POWER: PEAK: 200 W
AVERAGE: 2 W @ 25°C

IMPEDANCE 50 OHMS

OPERATING TEMP RANGE_-65 TO +125°

MECHANICAL

WEIGHT _____ 0.21 OZ MAX.



DRAWING PRACTICES PER ANSI Y14.5-2000 MIL-STD-100 & 1000	UNLESS OTHERWISE SPECIFIED TOLERANCES IN: DECIMALS INCH MM .XX° .075° [1.91] .XXX° .050° [1.27] .XXXX° .030° [0.76]	DRAWN D. SAUNDERS 01/14/2010 DATE CHECKED	DATE
DIMENSIONS ARE IN INCHES AND APPLY BEFORE/AFTER PROCESSING		ENGR D. SAUNDERS 01/14/2010 DATE	DATE
SURFACE ROUGHNESS		THESE DRAWINGS AND SPECIFICATIONS ARE THE PROPERTY OF XMA CORP. / OMN SPECTRA AND SHALL NOT BE REPRODUCED, COPIED, NOR USED, IN WHOLE OR IN PART, AS A BASIS FOR THE DESIGN, MANUFACTURE OR SALE OF OTHER ITEMS WITHOUT THE EXPRESS WRITTEN PERMISSION OF XMA CORP. CUSTOMERS AND VENDORS MAY COPY FOR INTERNAL REVIEW USE AS WEDED	
FINISH	UNLESS OTHERWISE NOTED, DIA IS CONCENTRIC <.003 T.I.R.	SIZE	CAGE CODE
SEE NOTES		C	3HT76
MATERIAL		SCALE	DWG NO.
SEE NOTES		5 : 1	2082-6346-DB

WWW.XMACorp.com Sales@XMACorp.com

XMA Powered by: **Omni** **Spectra®**

XMA Corp. 150 Dow St. Manchester, NH 03045 (603) 222-2256 fax 222-2259

TITLE
**DC - 6 GHz ATTENUATOR
SMA, FIXED, SS**

SIZE C CAGE CODE 3HT76 DWG NO. 2082-6346-DB

SCALE 5 : 1 PLATING AREA XXX SHEET 1 OF 1

4

3

2

1