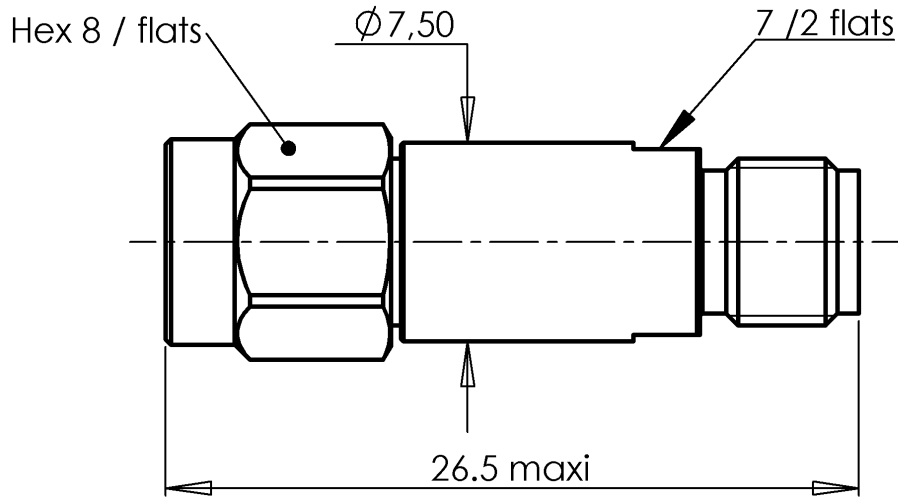


**COAXIAL ATTENUATOR SMA 2.9 DC-40GHZ**

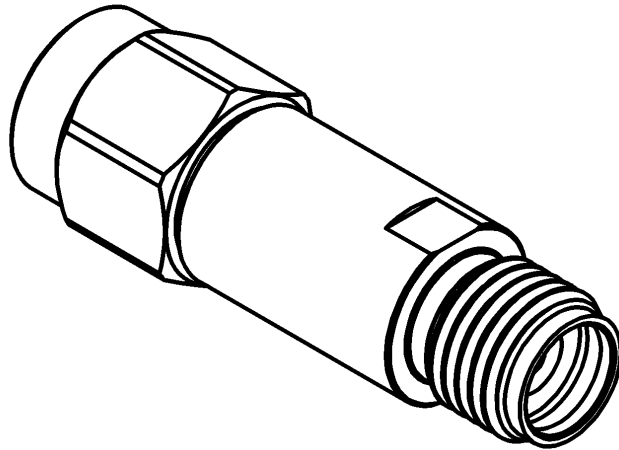
**R413.301.000**

**2W - 1DB**

Series : **ATTENUATOR**



Scale 1:1



All dimensions are in mm.

COMPONENTS	MATERIALS	PLATING( $\mu\text{m}$ )
<b>BODY</b>	<b>STAINLESS STEEL</b>	<b>PASSIVATION</b>
<b>MALE CENTER CONTACT</b>	<b>BERYLLIUM COPPER</b>	<b>.GOLD 1.3 OVER NICKEL 2</b>
<b>FEMALE CENTER CONTACT</b>	<b>BERYLLIUM COPPER</b>	<b>.GOLD 1.3 OVER NICKEL 2</b>
<b>OUTER CONTACT</b>	<b>STAINLESS STEEL</b>	<b>PASSIVATION</b>
<b>INSULATOR</b>	-	
<b>GASKET</b>	<b>SILICONE RUBBER</b>	
<b>SUBSTRATE</b>	<b>CERAMIQUE D'ALUMINE</b>	
<b>RESISTOR</b>	-	
<b>OTHERS PARTS</b>		

**Issue : 0741 D**

In the effort to improve our products, we reserve the right to make changes judged to be necessary.

**COAXIAL ATTENUATOR SMA 2.9 DC-40GHZ**

**R413.301.000**

**2W - 1DB**

Series : **ATTENUATOR**

**ELECTRICAL CHARACTERISTICS**

Frequency (GHz)	DC - 40
V.S.W.R (≤)	1,61 (1.4 typ.)
Deviation(±dB)	0.8

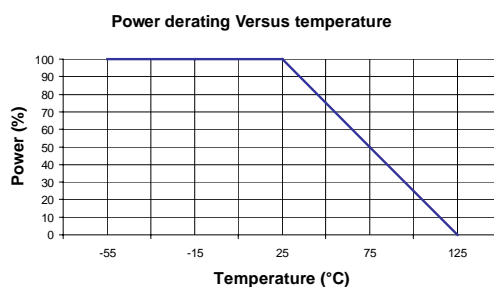
Operating Frequency Range	DC - 40	GHz
Impedance	50	Ω
Nominal Attenuation	1	dB
Peak power at 25°C (1μs, 1%)	100	W
Average power at 25°C	2	W (Free Air Cooled)

**MECHANICAL CHARACTERISTICS**

Connectors	SMA 2.9	MALE / FEMALE	MIL-C 39012
Weight	6,5700 g		

**ENVIRONMENTAL CHARACTERISTICS**

Operating temperature range	-55/+125 °C
Storage temperature range	-55/+125 °C



**SPECIFICATION**

**OTHER CHARACTERISTICS**

Temperature sensitivity :  $4 * 10^{-4} \frac{\text{dB}}{\text{dB} * ^\circ\text{C}}$

**Issue : 0741 D**

In the effort to improve our products, we reserve the right to make changes judged to be necessary.