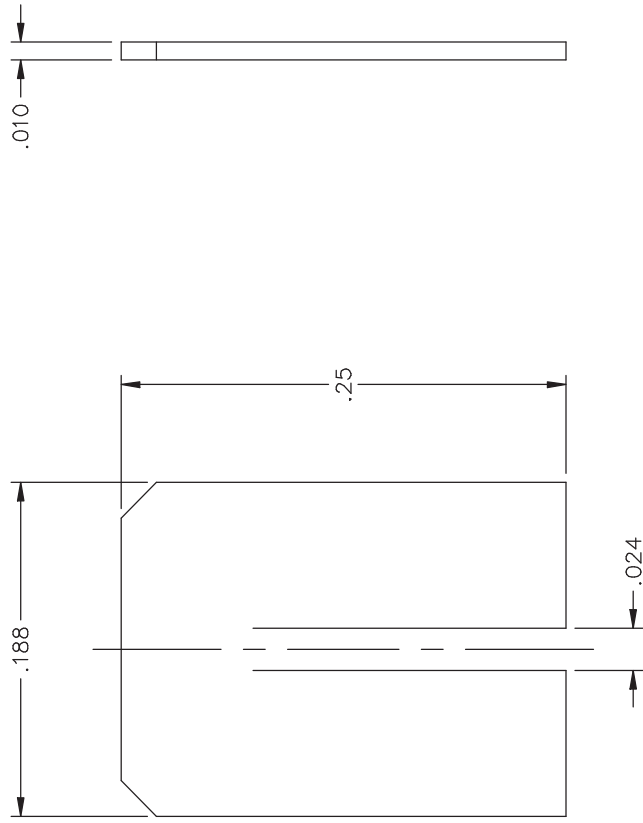
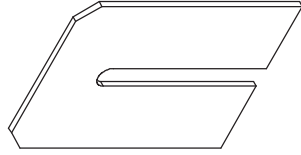


CATALOG NUMBER

LOG6-A99-03

MATERIAL AND FINISH

SHIM GAGE: CRES 302; PASSIVATED



SHIM GAGE

IDENT CODE:
82316

REVISION: A

GILBERT
ENGINEERING

SOURCE FILE: MECR# 1941

DWG. NO.:

OL-L096-A99-03

ASSY. PROC.:

-