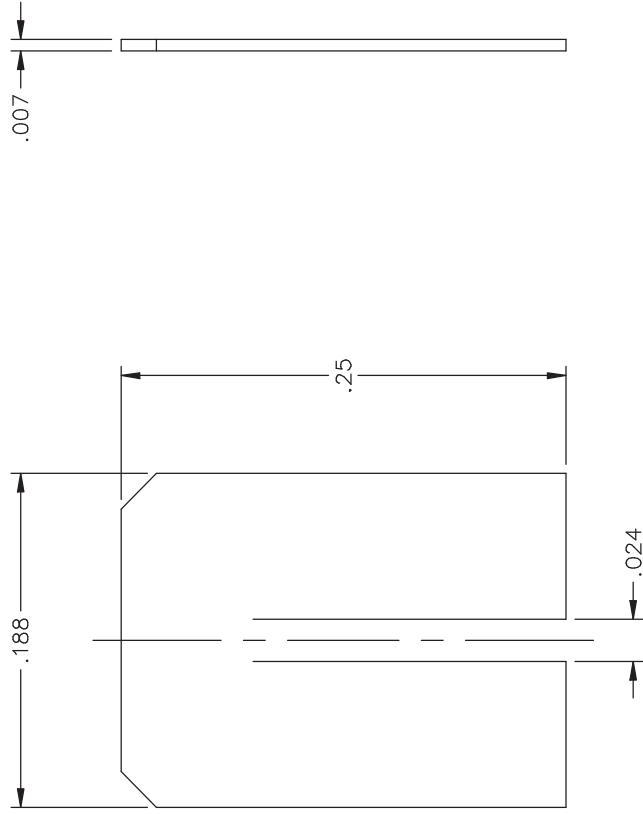
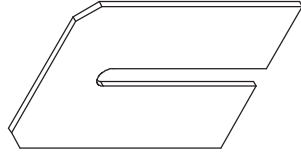


CATALOG NUMBER

L096-A99-04

MATERIAL AND FINISH

SHIM GAGE: CRES 302; PASSIVATED



SHIM GAGE

IDENT CODE:
82316

REVISION: A

GILBERT
ENGINEERING

SOURCE FILE: MECR# 1902

DWG. NO.:

OL-L096-A99-04

ASSY. PROC.:

-