

CATALOG NUMBER

9001-818-4

MATERIAL AND FINISH

THREAD-IN CAP,
INSERT, BODY,
AND PLUNGER:

CRES 303; PASSIVATED

SLEEVE:

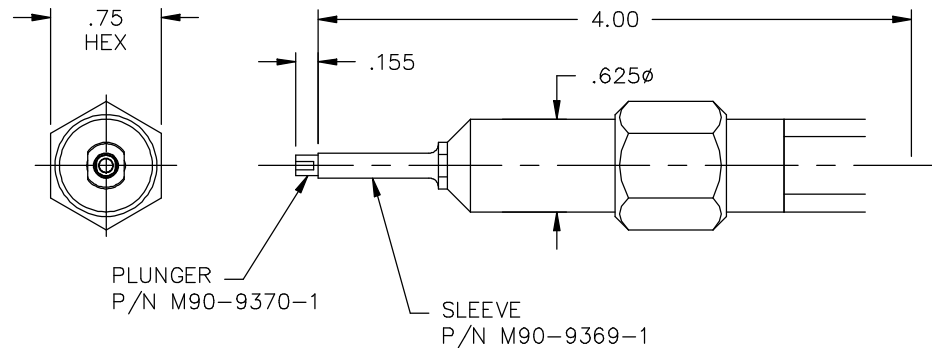
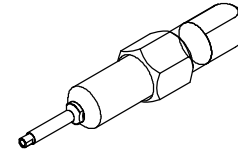
17-4 PH STAINLESS STEEL

SPRING:

MUSIC WIRE

ANTI ROLL BLOCK:

NYLON



NOTES:

1. FITS CONNECTORS: 0118-958-1 AND B016-B11-01

This drawing and any data contained herein is the property of Corning Gilbert Inc., and constitutes and contains proprietary and confidential information. Neither receipt nor possession of this drawing confers or transfers any right to duplicate, use or disclose any information contained herein except as expressly authorized by Corning Gilbert Inc.

GPPO FEMALE SNAP-IN
REMOVAL TOOLIDENT CODE:
82316

REVISION: C

Corning Gilbert Inc.

SOURCE FILE: SK-1837

DWG. NO.: OL-9001-818-4

ASSY. PROC.: -