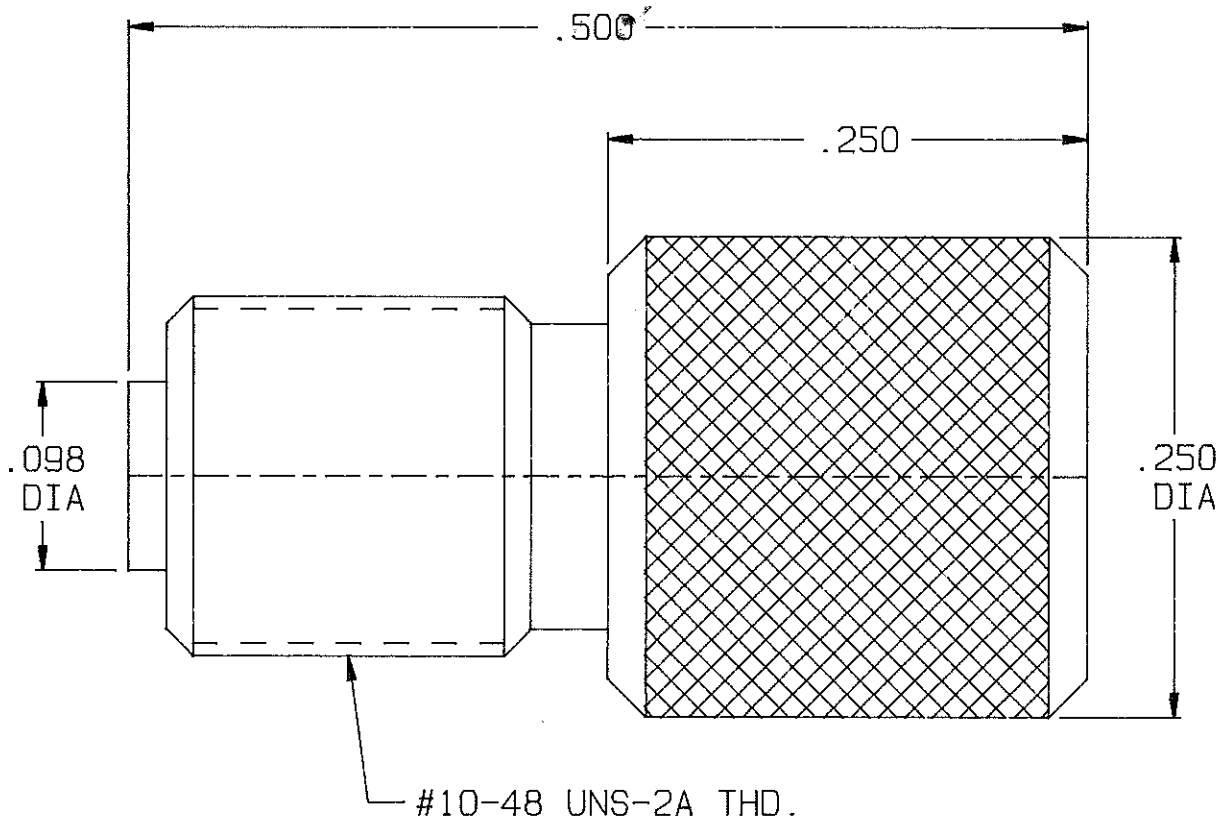


This drawing and any data disclosed therein is the property of Gilbert Engineering Co., Inc. and constitutes and contains proprietary and confidential information. Neither receipt nor possession of this drawing confers or transfers any right to duplicate, use, or disclose any information contained herein except as expressly authorized by Gilbert Engineering Co., Inc.

DWG NO.		REV.	
SYM	REVISION	DATE	APP'D.
A	REL ECO GM4109	4/9/90	DB

MATERIAL & FINISH

TOOL: CRES 303 PER ASTM A484 & ASTM A582. PASSIVATE PER MIL-F-14072 E 300



CODE IDENT NO.
82316

F-500

GILBERT ENGINEERING COMPANY

BY		DATE	TITLE	
V A S		4/2/90	OUTLINE DRAWING: SEAL LOCATING TOOL FOR THREAD-IN SHROUD	
CHECKED <i>[Signature]</i>		4-9-90	DWG NO. 9001-954-3	
SHT. 1 OF 1			OL	REV A

BRUNING 40-107