

CATALOG NUMBER

A090-A99-09

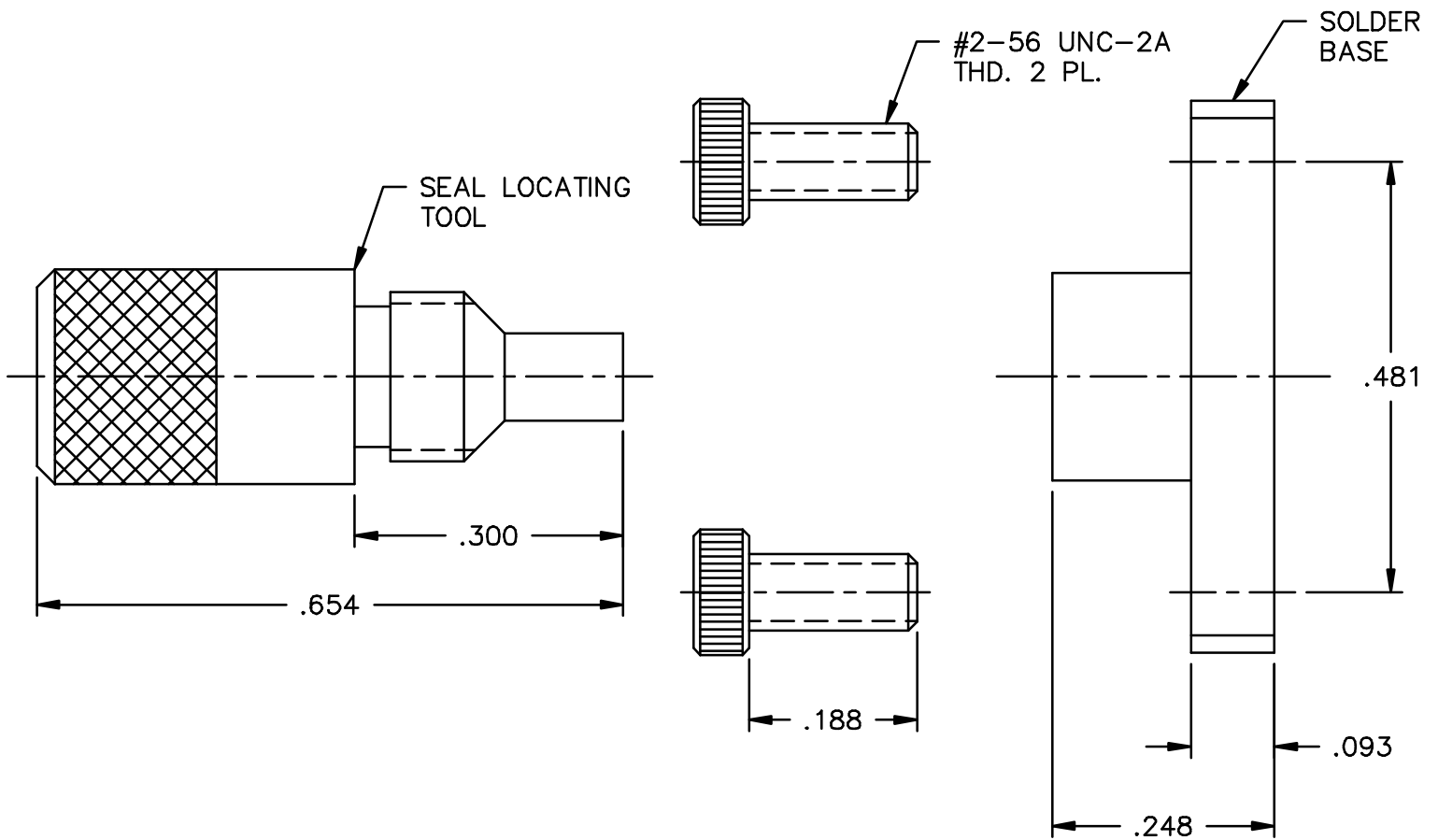
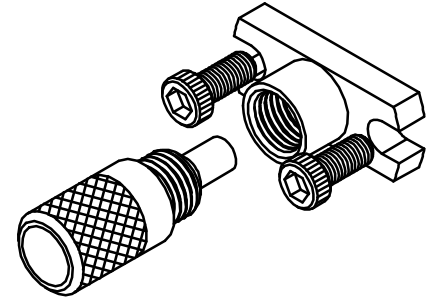
MATERIAL AND FINISH

LOCATOR TOOL AND
SOLDER BASE:

CRES 303; PASSIVATED

MOUNTING SCREWS:

18-8 STAINLESS STEEL



This drawing and any data contained herein is the property of Corning Gilbert Inc., and constitutes and contains proprietary and confidential information. Neither receipt nor possession of this drawing confers or transfers any right to duplicate, use or disclose any information contained herein except as expressly authorized by Corning Gilbert Inc.

FLANGE SEAL LOCATOR
FOR .481 HOLE

IDENT CODE:
82316

REVISION: D

Corning Gilbert Inc.

SOURCE FILE: MECR# 2434

DWG. NO.: OL-A090-A99-09

ASSY. PROC.: -