

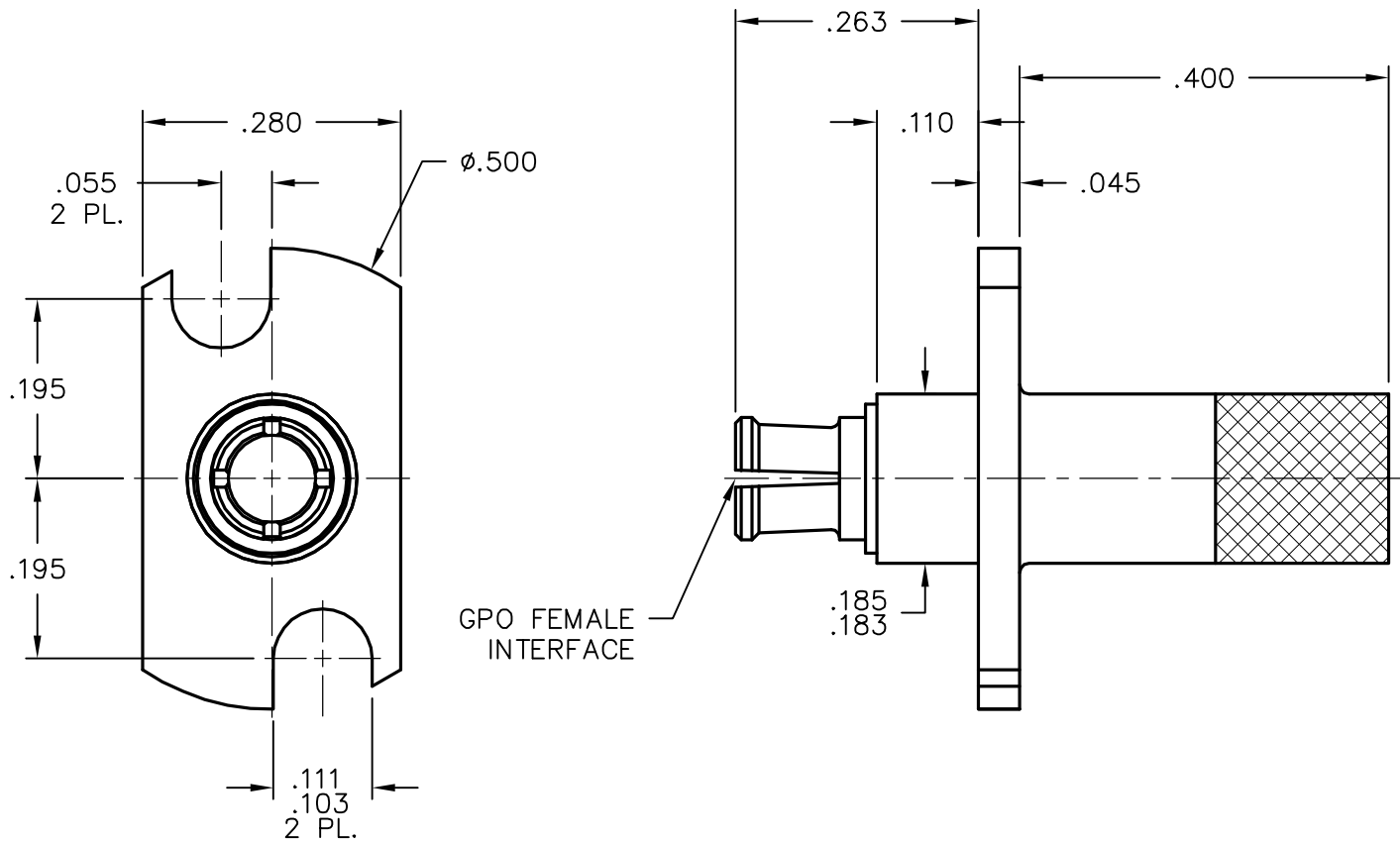
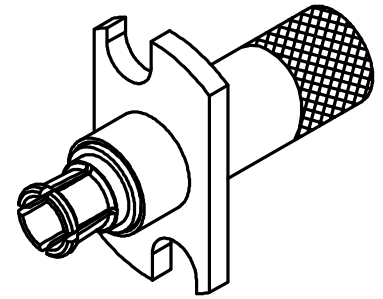
PROTOTYPE NUMBER

SK-4306

MATERIAL AND FINISH

HOUSING: CRES 303; PASSIVATED

FEMALE PRESS FIT: BeCu; GOLD PLATE 75 MICRONS TYPICAL
OVER NICKEL PLATE 100 MICRONS TYPICAL



This drawing and any data contained herein is the property of Corning Gilbert Inc., and constitutes and contains proprietary and confidential information. Neither receipt nor possession of this drawing confers or transfers any right to duplicate, use or disclose any information contained herein except as expressly authorized by Corning Gilbert Inc.

GPO FEMALE 2 HOLE
FLANGE MOUNT
ALIGNMENT FIXTURE

IDENT CODE:
82316

REVISION: 04

Corning Gilbert Inc.

SOURCE FILE: SK-4306

DWG. NO.:

OL-SK-4306

ASSY. PROC.:

--