

CATALOG NUMBER

9001-938-3

MATERIAL AND FINISH

COLLET, CUP,
AND INSERT:

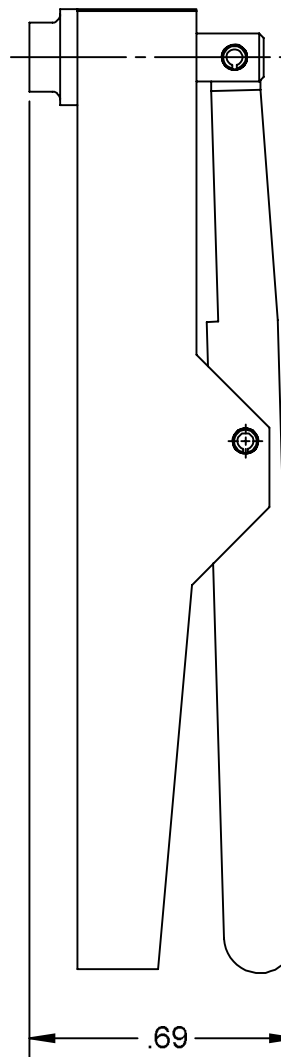
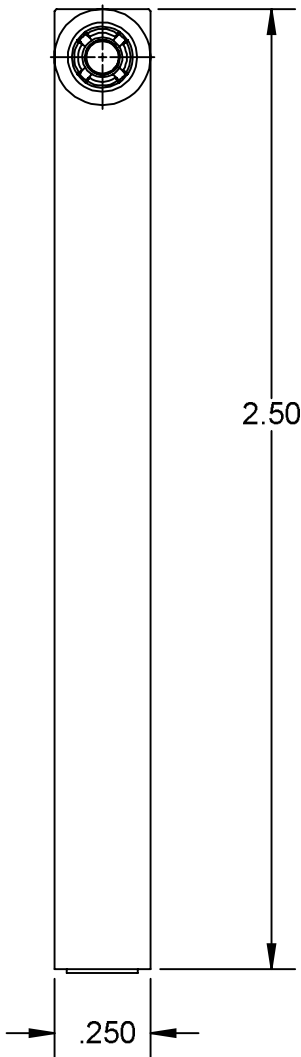
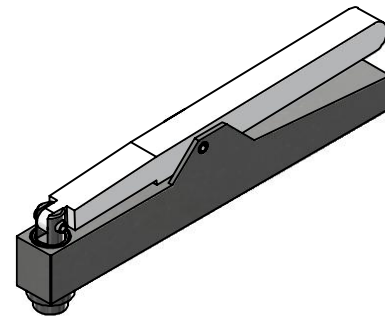
BeCu; NICKEL PLATE 50 MICROINCHES TYPICAL

FRAME AND LEVER:

17-4 PH STAINLESS STEEL; PASSIVATED

PINS:

420 STAINLESS STEEL



CORNING RESTRICTED - This drawing and any data contained herein is the proprietary and confidential information of Corning. Neither receipt nor possession of this drawing provides any right to duplicate, use, or disclose any information contained herein except with the express written consent of Corning.
EXPORT CONTROL - This document contains information within the purview of the Export Administration Regulations (EAR), 15 CFR 730-774, and may be export controlled.

APPROX. WEIGHT:	33.2456grams	SIGNATURES	INIT	DATE:
TOLERANCE:		DRAWN:	-	10/15/18
.XX ±.010 .XXX ±.005 ANGULAR ±5°		CHECKED:	DMG	
		APPROVED:	TEF	

**GPO EXTRACTION TOOL
(LOW PROFILE SHROUD)**

CAGE CODE:
82316
SCALE:
2:1
REVISION:
D

CORNING

PLANT OF ORIGIN
CORNING PHOENIX
PLANT: (623)245-1050
CUSTOMER SERVICE:
(800) 651-8869

SOURCE FILE:	MECR# 1643	DWG. NO.:	OL-9001-938-3	ASSY. PROC.:	-
---------------------	-------------------	------------------	----------------------	---------------------	---