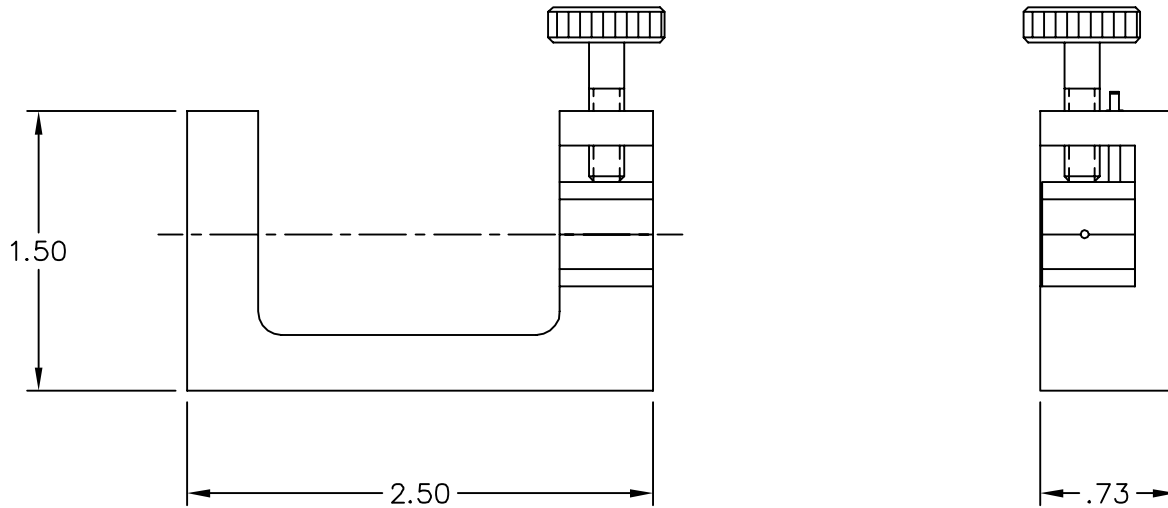
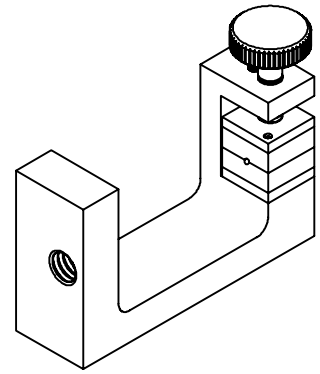


CATALOG NUMBER

L096-A99-02

MATERIAL AND FINISH

PLATES: ALUMINUM
 GUIDE PIN, SCREW AND BASE: 17-4 PH STAINLESS STEEL; PASSIVATED
 SPRING: MUSIC WIRE
 INSERTS: GAROLITE
 ROLL PINS: 420 STAINLESS STEEL



This drawing and any data contained herein is the property of Corning Gilbert Inc., and constitutes and contains proprietary and confidential information. Neither receipt nor possession of this drawing confers or transfers any right to duplicate, use or disclose any information contained herein except as expressly authorized by Corning Gilbert Inc.

CABLE HOLDING
 FIXTURE FOR
 .047 CABLE

IDENT CODE:
 82316

REVISION: D

Corning Gilbert Inc.

SOURCE FILE: MECR# 1917

DWG. NO.: OL-L096-A99-02

ASSY. PROC.: —