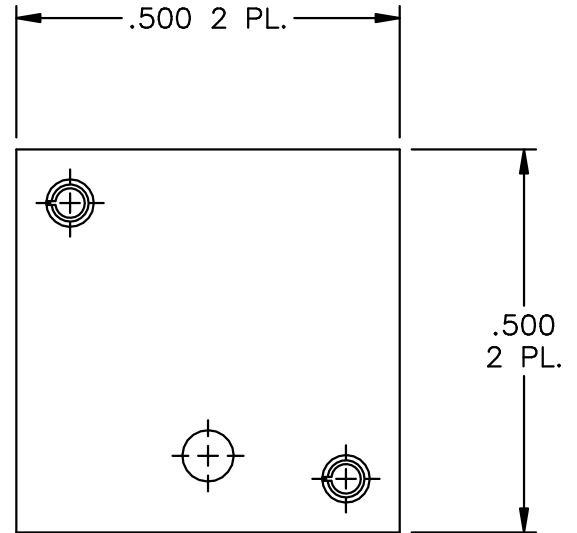
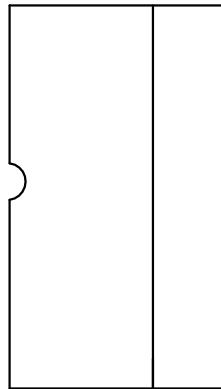
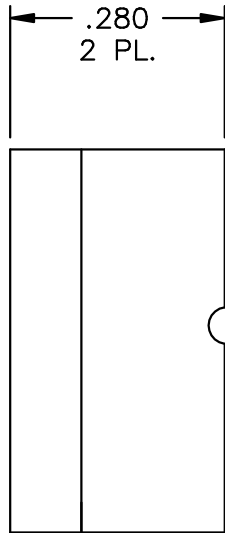
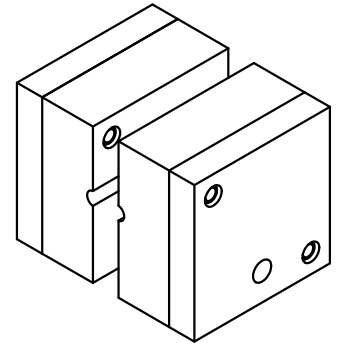


CATALOG NUMBER

L096-A99-07

PLATES:  
 INSERTS:  
 ROLL PINS:

ALUMINUM  
 GAROLITE  
 420 STAINLESS STEEL



This drawing and any data contained herein is the property of Corning Gilbert Inc., and constitutes and contains proprietary and confidential information. Neither receipt nor possession of this drawing confers or transfers any right to duplicate, use or disclose any information contained herein except as expressly authorized by Corning Gilbert Inc.

.047 INSERT

IDENT CODE:  
82316

REVISION: C

**Corning Gilbert Inc.**

SOURCE FILE: MECR# 1917

DWG. NO.: OL-L096-A99-07

ASSY. PROC.: -