

This drawing and any data contained therein is the property of Gilbert Engineering Co., Inc., and constitutes and contains proprietary and confidential information. Neither receipt nor possession of this drawing confers or transfers any right to duplicate, use, or disclose any information contained herein except as expressly authorized by Gilbert Engineering Co. Inc.

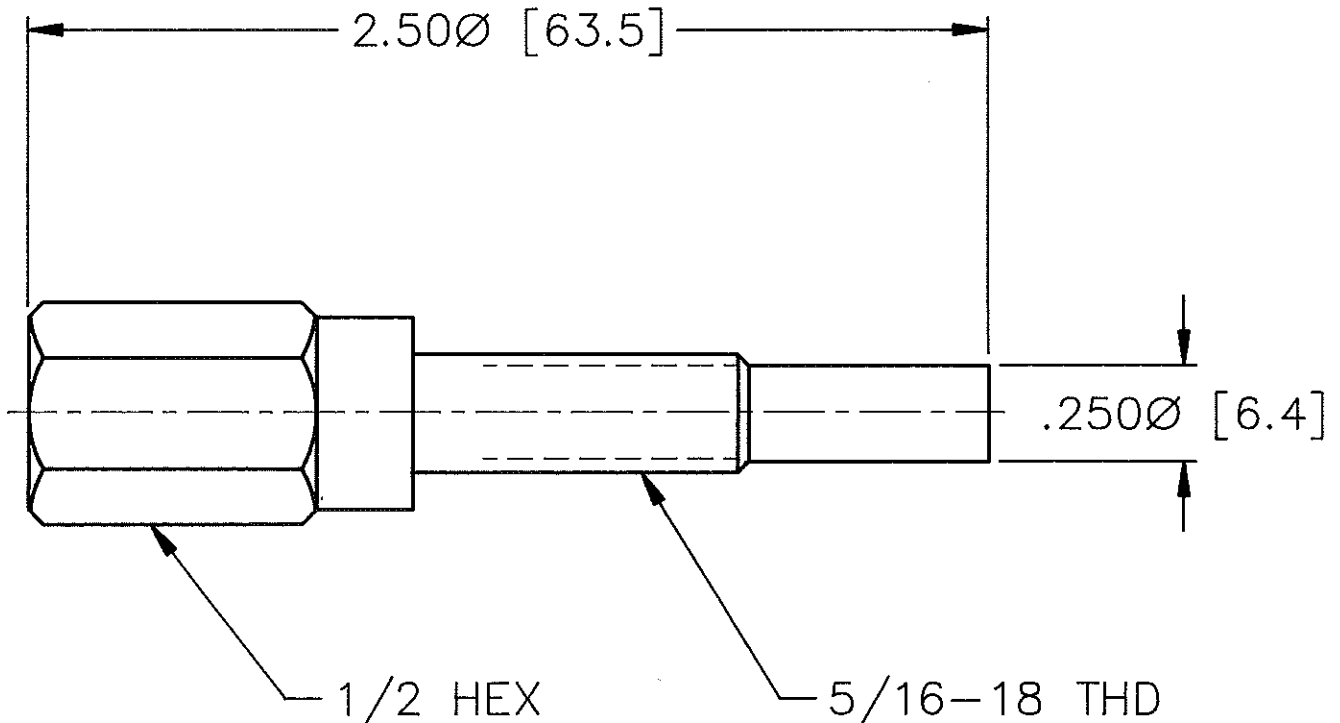
DWG. NO. OL-9001-948-3

PART REV. C

MATERIAL & FINISH

GPO LOCATOR TOOL:

17-4 PH STAINLESS STEEL
CONDITION H PASSIVATE
PER MIL-F-14072 E 300.



ALL DIMENSIONS ARE IN INCHES AND [MILLIMETERS]

CAT. NO. 9001-948-3

CODE IDENT NO. 82316

GILBERT ENGINEERING CO., INC.

BY		DATE
DRAWN	DEAN SINCLAIR	6-16-94
CHECKED		
SHT.	1	OF 1

TITLE	
OUTLINE DRAWING: LOCATOR TOOL	
DWG. NO.	OL-9001-948
REV	C