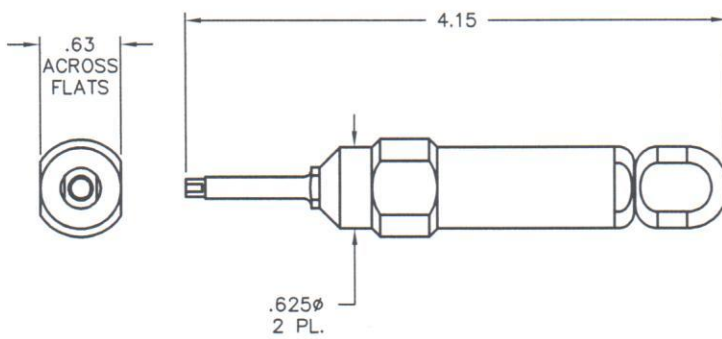


**GPPO Male Snap-in Removal Tool**

Catalog Number  
9001-823-0\*

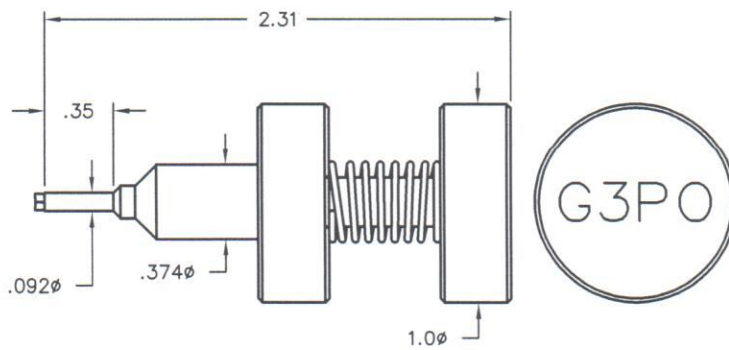
\* For use with part number 0118-928-4



**GPPO Female Snap-in Removal Tool**

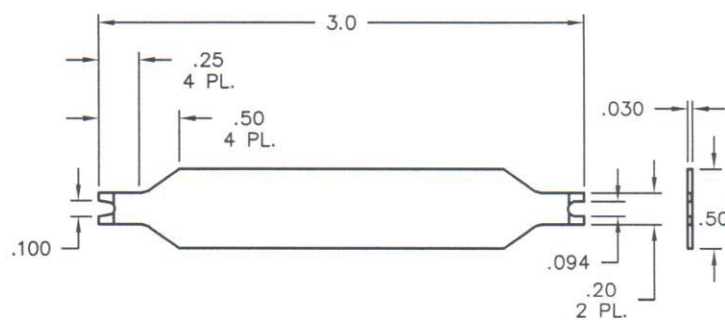
Catalog Number  
9001-824-0\*

\* For use with part numbers 0118-958-1 and B016-B11-01



**G3PO BMI Install/Removal Tool**

Catalog Number  
R095-A99-01



**G3PO Removal Tool**

Catalog Number  
R098-A99-01