

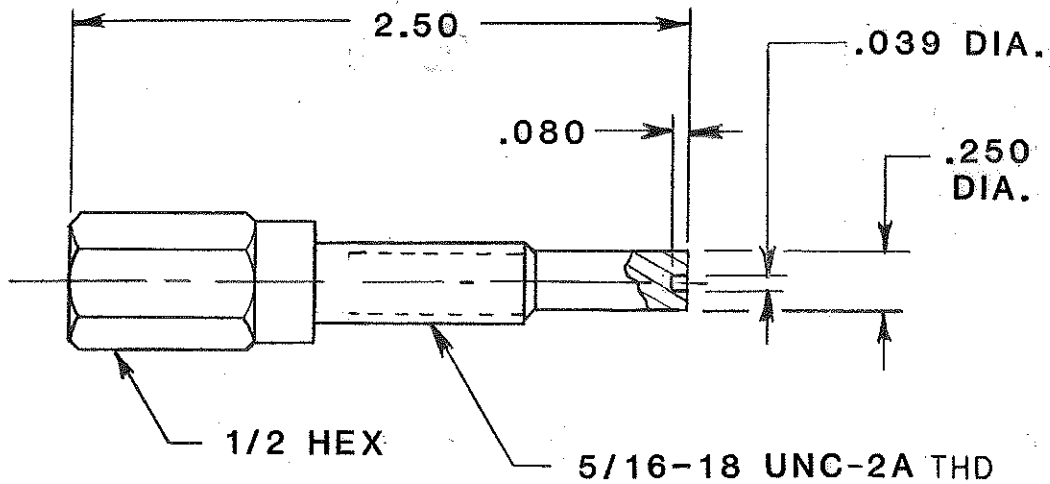
This drawing and any data disclosed therein is the property of Gilbert Engineering Co., Inc. and constitutes and contains proprietary and confidential information. Neither receipt nor possession of this drawing confers or transfers any right to duplicate, use, or disclose any information contained herein except as expressly authorized by Gilbert Engineering Co., Inc.

DWG NO.		REV.	
SYM	REVISION	DATE	APP'D.
A	RELEASED GM-3054	6/20/88	DB

**MATERIAL & FINISH**

GPO LOCATOR TOOL:

17-4 PH STAINLESS STEEL  
CONDITION H PASSIVATE  
PER MIL-F-14072 E 300.



CODE IDENT NO.  
82316

F-327

**GILBERT ENGINEERING COMPANY**

BY	DATE
DRAWN C LONG	5/17/88
CHECKED <i>DB</i>	6-20-88
SHT. 1	OF 1

TITLE: **OUTLINE DRAWING:  
GPO LOCATOR TOOL**

DWG NO. **9001-931-3**

REV  
**OL A**

BRUNING 40-107