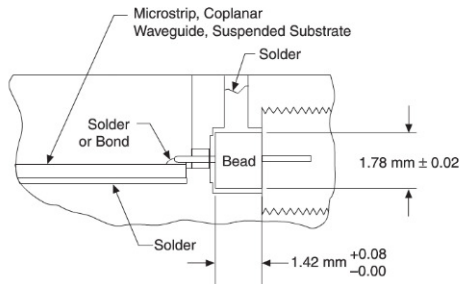


V CONNECTOR®

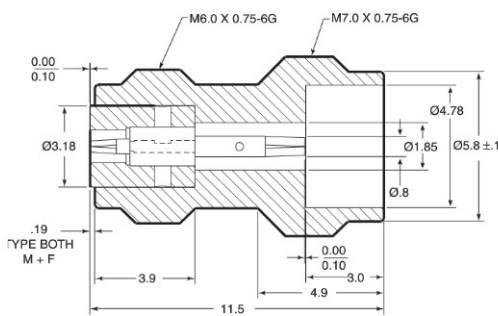
DC to 65 GHz

Complete family

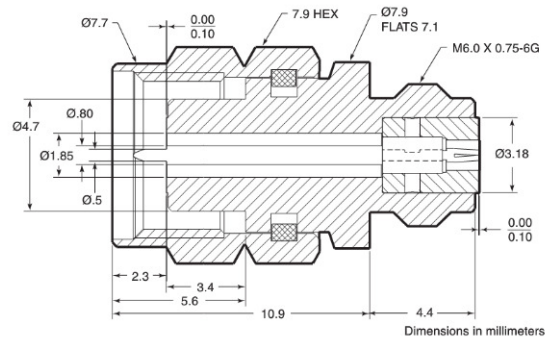
There are four different models of V Connector launchers. Two types of sparkplug (screw-in) launchers are available: the V102F-R female version and the V102M-R male version. Both screw into the housing that encloses the microwave circuit. And, like all Anritsu launchers, they can be easily removed for replacement or repair without unsoldering the glass bead and its interface to the microwave circuit.



Transition from Microcircuit to Outside Transmission Line



V Connector interface dimensions



Dimensions in millimeters

When the housing that encloses the microwave circuit is not thick enough to support a threaded, screw-in launcher, flush-mounted (flange) launchers are required. Models with two mounting holes are available in both male and female versions, V103M-R and V103F-R. The mounting hole spacing is identical to that of similar SMA flange launchers. The glass bead interface, of course, is the same design used for the sparkplug launcher.

Cable connectors

To complement the high performance V085 cable, both male and female cable connectors are available. Typical return loss at 65 GHz for finished cables exceeds 16 dB (1.35 SWR).

The V Connector® coaxial cable connectors use a 2.16 mm cable with a microporous Teflon dielectric and a copper center conductor. The cable assemblies use the center conductor of the coax as the male pin. This is similar to the UT-141 SMA-type assembly and 2.4 mm cable assemblies. The microporous Teflon dielectric has maximum phase stability and minimum insertion loss. This type of cable assembly allows for easy assembly and maximum RF performance; however, since the male pin is copper, the cable assemblies are not suitable for repeated connections. In applications where the cable will be subject to more than 100 connections, we recommend that a connector saver be used.

Evaluation kit

01-301

V Connector Evaluation Kit contains one V120MM - 25CM Male/Male Cable Assembly, two V102F Female Sparkplug Launcher Connector Assemblies, two V103F Female Flange Launcher Connector Assemblies, two V101M-R Male In-line Cable Connector Assemblies, five V100 Glass Beads, one 01-304 Drill and Tap Set, one 01-302 Test Fixture, two 01-303 Soldering Fixtures.



Tools and fixtures

01-303

Soldering Fixture for sparkplug launcher glass beads, package of 10.



01-304

Drill and Tap Set for precision machining of concentric holes for mounting V Connector in microwave housing. (Drill Part No. 783-568) (Tap Part No. 783-569)

