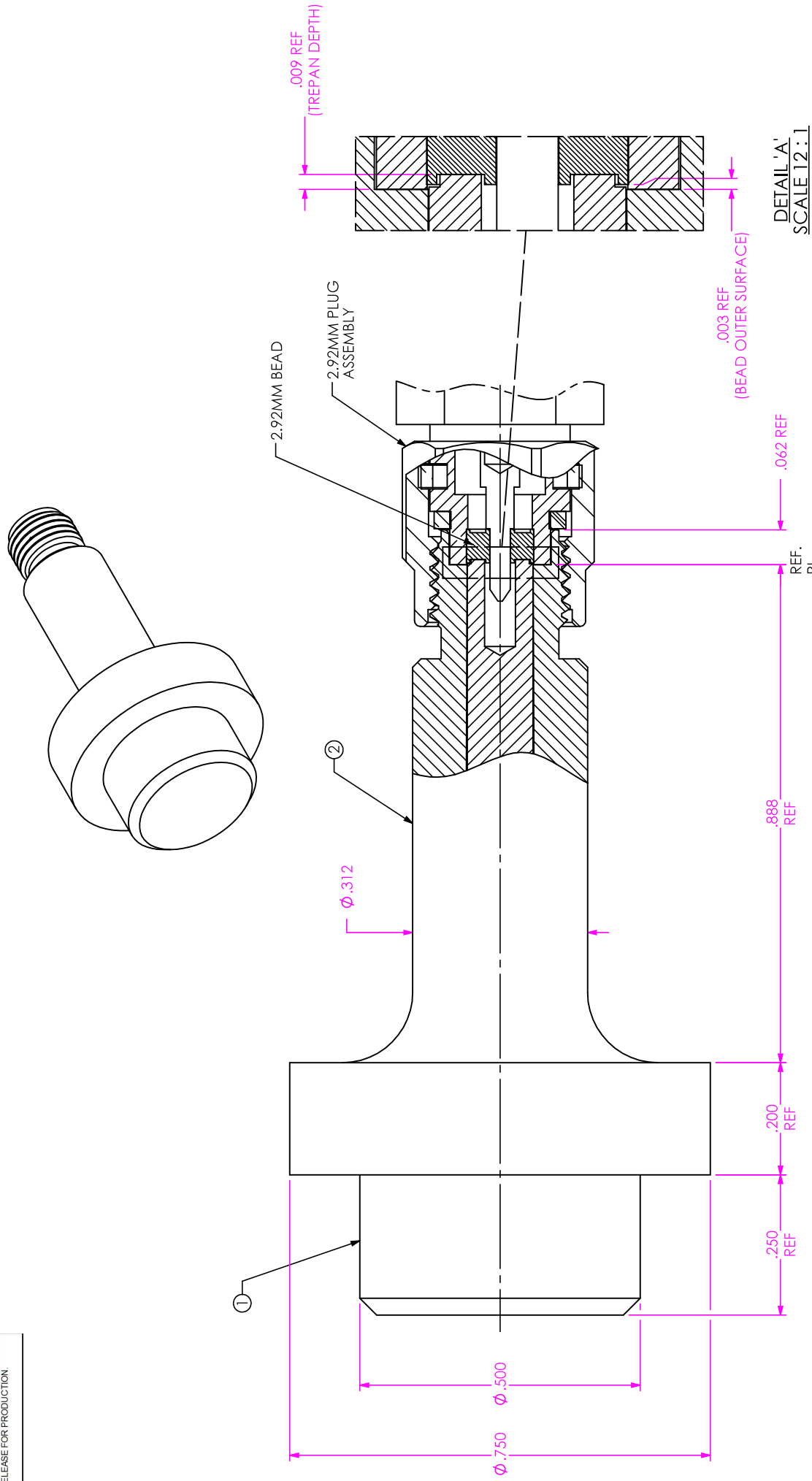


REVISION

A	EC	G Yang
02/17/2021 ECN-404227		
RELEASE FOR PRODUCTION		



DETAIL 'A'
SCALE 12:1

NOTES:

1. BEAD INSTALLATION TOOL PLUNGER & FUNNEL MADE FROM HEAT TREATED BERYLLIUM COPPER (ALLOY C17300). NO FINISH. THIS TOOL PUSHES ON BEAD TREPAN SURFACE. TOOL PUSHES ON BEAD OUTER SURFACE.

BOM TABLE				
ITEM NO.	PART NUMBER	DESCRIPTION	PCI #	QTY
1	CAT-IN-450041-001	PLUNGER	450041	1
2	CAT-IN-450042-001	FUNNEL TOOL	450042	1

PROJECT : CAT-IN-450040-01 QTY:

DESCRIPTION: 2.92MM BEAD INSERTION TOOL Model : Ethan C 02/17/2021

PART NUMBER CAT-IN-450040-01 Detail : Ethan C 02/17/2021

MATERIAL: NONE
FINISH: NONE

DO NOT SCALE DRAWING
SHEET SCALE: 4:1

UNLESS OTHERWISE SPECIFIED, DIMENSIONS ARE IN INCHES.
TOLERANCES ARE:
DECIMALS ANGLES
.XX: ±.01 1°
.XXX: ±.005
.XXXX: ±.0005

PROPRIETARY NOTE
THIS DOCUMENT IS THE PROPERTY OF SAMTEC AND ALL RIGHTS ARE RESERVED. NO PART, TO ANY UNAUTHORIZED PERSON OR ENTITY NOR ANY OTHER FORM OF REPRODUCTION, WITHOUT THE WRITTEN CONSENT OF SAMTEC, INC.

THIS DOCUMENT IS THE PROPERTY OF SAMTEC AND ALL RIGHTS ARE RESERVED. NO PART, TO ANY UNAUTHORIZED PERSON OR ENTITY NOR ANY OTHER FORM OF REPRODUCTION, WITHOUT THE WRITTEN CONSENT OF SAMTEC, INC.

520 PARK EAST BLD, NEW ALBANY, IN 47150
PHONE: 812-944-6733 FAX: 812-948-5047
e-Mail: Info@SAMTEC.COM CODE: 55322

FL:\dmg\tooling\cat tooling\CAT-IN-450040-01.ADDRW

samtec

SHEET 1 OF 1