

Description : SP8T 18GHz SMA N/O 12V D-SUB SWITCH  
 Options : POSITIVE COMMON

Issue 12.12.12  
 Page 1/2

**RF CHARACTERISTICS**

Number of ways : 8  
 Frequency range : 0 - 18 GHz  
 Impedance : 50 Ohms

Frequency (GHz)	0 - 3	3 - 8	8 - 12.4	12.4 - 16	16 - 18
VSWR max	1.20	1.30	1.40	1.50	1.60
Insertion loss max	0.20 dB	0.30 dB	0.40 dB	0.55 dB	0.60 dB
Isolation min	80 dB	70 dB	60 dB	60 dB	60 dB
Average power (*)	240 W	150 W	120 W	110 W	100 W

**ELECTRICAL CHARACTERISTICS**

Actuator : NORMALLY OPEN  
 Nominal current \*\* : 250 mA  
 Actuator voltage (Vcc) : 12V (10.2 to 13V) / POSITIVE COMMON  
 Terminals : 25 pins D-SUB male connector

**MECHANICAL CHARACTERISTICS**

Connectors : SMA female per MIL-C 39012  
 Life : 2.000.000 cycles per position  
 Switching Time\*\*\* : < 15 ms  
 Construction : Splashproof  
 Weight : < 280 g

**ENVIRONMENTAL CHARACTERISTICS**

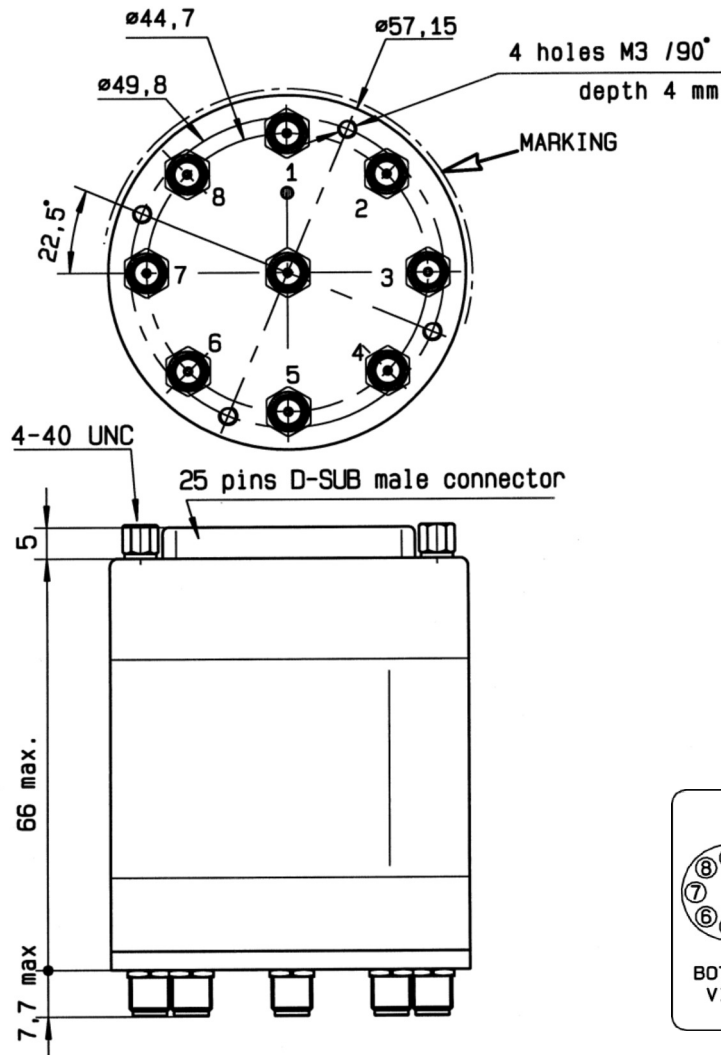
Operating temperature range : -40°C to +85°C  
 Storage temperature range : -55°C to +85°C



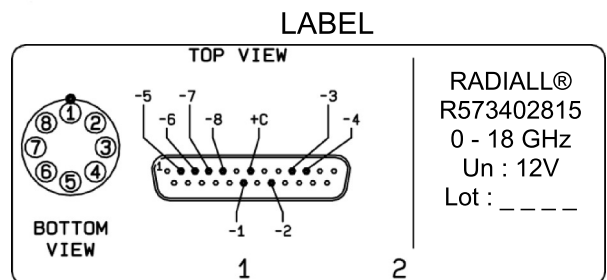
(\* Average power at 25°C per RF Path)  
 (\*\* At 25° C ±10%)  
 (\*\*\*) Nominal voltage ; 25° C)

This information is given as an indication. In order to improve our products, we reserve the right to make any modifications judged necessary

**DRAWING**

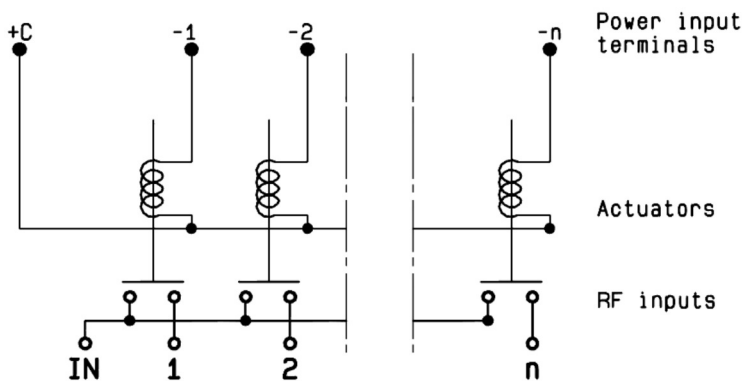


Voltage	RF Continuity
+C -1	IN ↔ 1
+C -2	IN ↔ 2
+C -3	IN ↔ 3
+C -4	IN ↔ 4
+C -5	IN ↔ 5
+C -6	IN ↔ 6
+C -7	IN ↔ 7
+C -8	IN ↔ 8



General tolerances : ±0.5 mm

**SCHEMATIC DIAGRAM**



This information is given as an indication. In order to improve our products, we reserve the right to make any modifications judged necessary