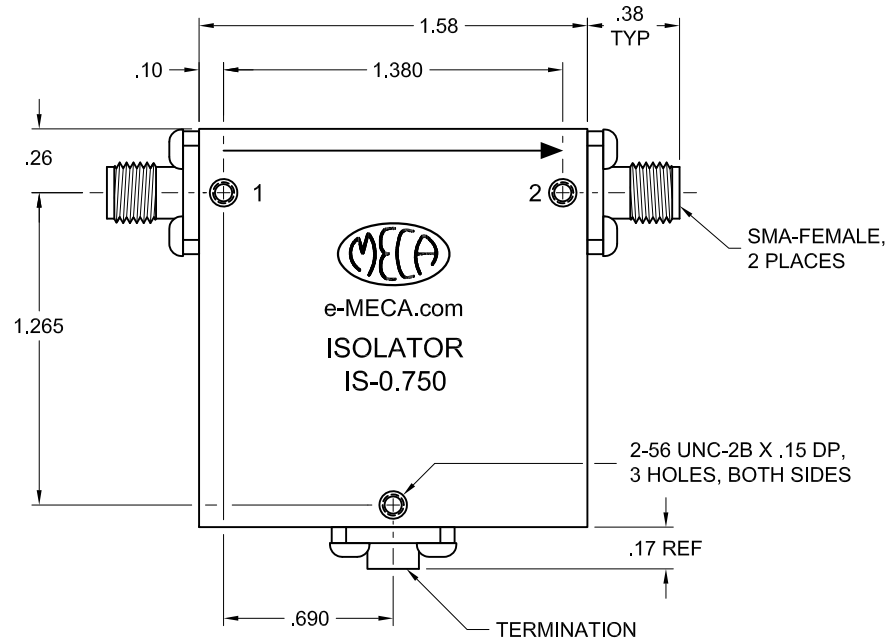
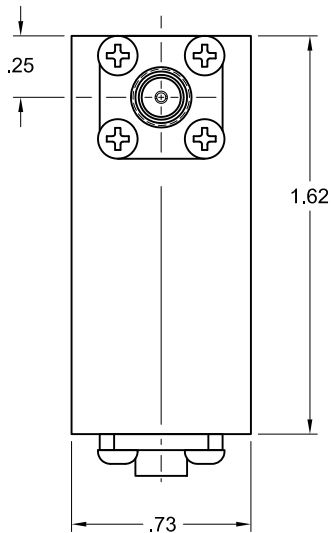


ELECTRICAL SPECIFICATIONS

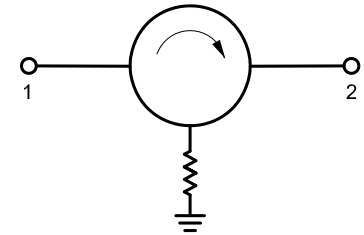
FREQUENCY RANGE (GHz): 0.700-0.800
 IMPEDANCE: 50 OHMS
 VSWR: 1.30:1 MAX
 INSERTION LOSS (dB): 0.50 MAX
 ISOLATION (dB): 20 TYP/17 MIN
 POWER: AVG: 2 WATTS


MECHANICAL SPECIFICATIONS

CONNECTORS: SMA-FEMALE, STAINLESS STEEL, PASSIVATE
 CONTACT PINS: BERYLLIUM COPPER, GOLD PLATE
 OPERATING TEMPERATURE: -20°C TO +65°C
 WEIGHT (APPROX): 4.2 oz



SCHMATIC:



C		SEE DCN #100527	05/19/08	RP	EB	MATERIAL: SEE ABOVE	UNLESS OTHERWISE SPECIFIED, DIMENSIONS ARE IN INCHES	 ELECTRONICS, INC. DENVER, NEW JERSEY e-MECA.com					
B		SEE DCN #080515-5	05/19/08	AC	RR	FINISH: SEE ABOVE	TOLERANCES 2 PLACES: ±.03 3 PLACES: ±.010 ANGLES: N/A				TITLE ISOLATOR, 0.700 - 0.800 GHz, SMA-FEMALE		
A		NEW	04/30/08	NL	RR	DRAWN: NL	DATE: 04/15/08	TIR: N/A	SCALE: NTS	SIZE			
LTR	PG	DESCRIPTION	DATE	DR	APP	APPROVED: RR	DATE: 04/15/08	SHEET: 1 OF 1	A	22424	IS-0.750	C	