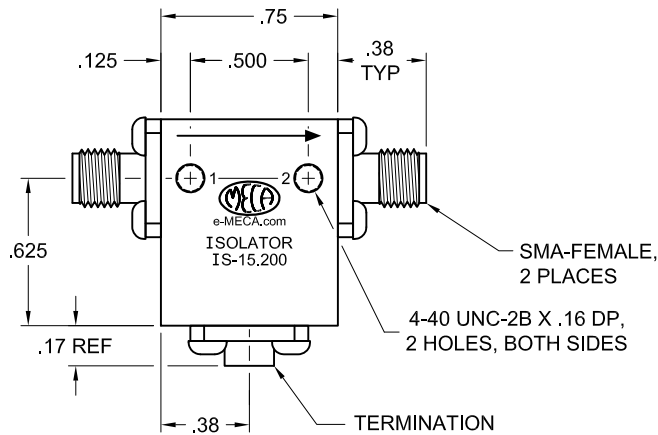
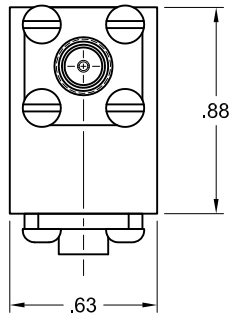


# ELECTRICAL SPECIFICATIONS

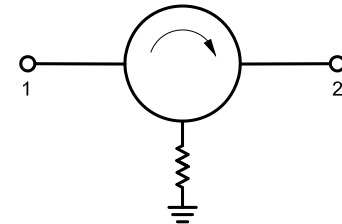
FREQUENCY RANGE (GHz): 12.400 - 18.000  
 IMPEDANCE: 50 OHMS  
 VSWR: 1.30:1 MAX  
 INSERTION LOSS (dB): 0.40 MAX  
 ISOLATION (dB): 18 MIN  
 POWER (AVG): 2 W  
 PEAK: 50 W


# MECHANICAL SPECIFICATIONS

CONNECTORS: SMA-FEMALE, STAINLESS STEEL, PASSIVATE  
 CONTACT PINS: BERYLLIUM COPPER, GOLD PLATE  
 HOUSING: RoHS COMPLIANT, YELLOW IRIDITE  
 OPERATING TEMPERATURE: -10°C TO +60°C  
 WEIGHT (APPROX): 1.6 oz.



SCHEMATIC:



						MATERIAL: SEE ABOVE	UNLESS OTHERWISE SPECIFIED, DIMENSIONS ARE IN INCHES		 <b>ELECTRONICS, INC.</b> DENVER, NEW JERSEY e-MECA.com			
						FINISH: SEE ABOVE	TOLERANCES 2 PLACES: ±.01 3 PLACES: ±.005 ANGLES: N/A					
D		SEE DCN #100527	06/04/10	RP	EB	DRAWN: AAV	DATE: 10/16/06	TIR: N/A	TITLE ISOLATOR, 12.400 - 18.000 GHz, SMA FEMALE			
C		SEE DCN #080808-4	08/13/08	AC	RR		APPROVED: RWR	DATE: 10/16/06			SCALE: NTS	SIZE
B		SEE DCN #070425-1	01/26/07	AAV	RWR			SHEET: 1 OF 1	<b>A</b>	CODE IDENT. NO. 22424	DRAWING NO. IS-15.200	REV <b>D</b>
A		NEW	10/16/06	AAV	RWR							
LTR	PG	DESCRIPTION	DATE	DR	APP							