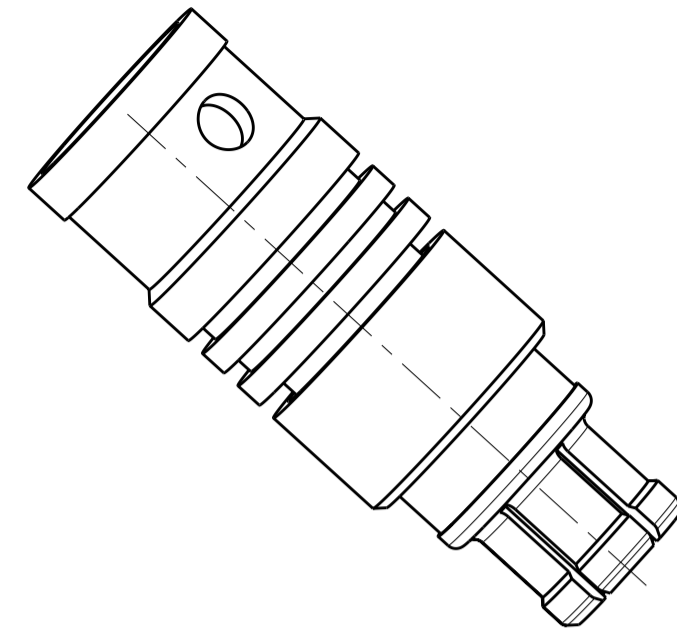


THIS DRAWING IS UNPUBLISHED. RELEASED FOR PUBLICATION  
 © COPYRIGHT BY ALL RIGHTS RESERVED.

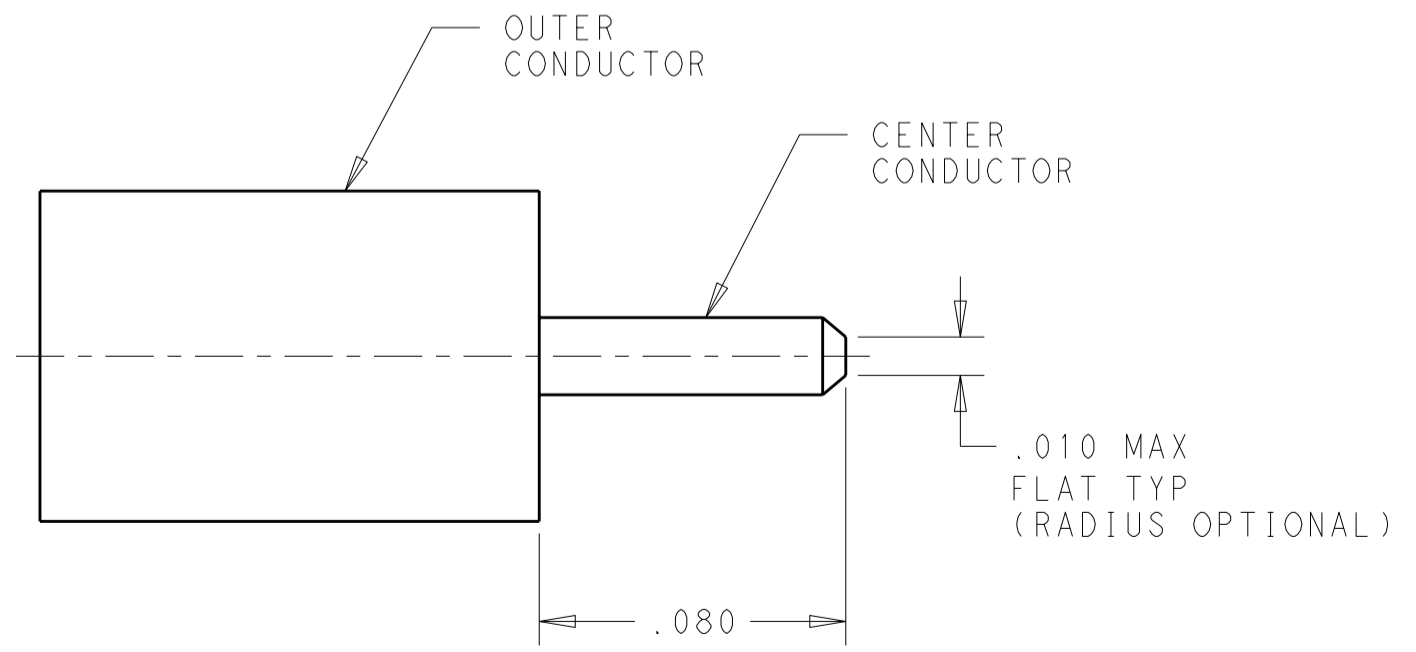
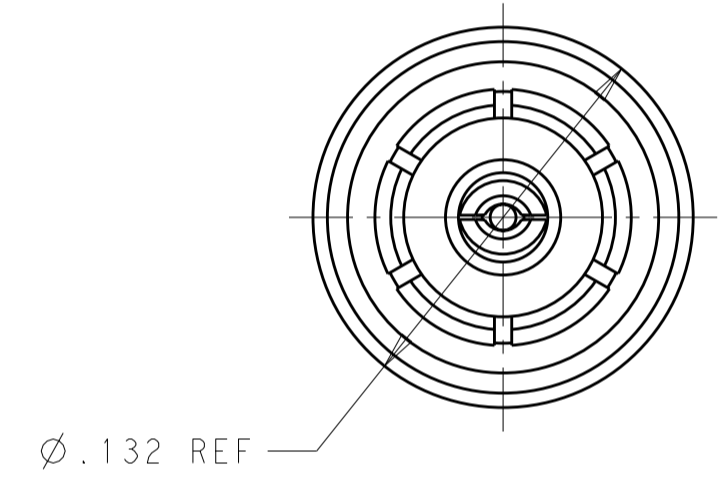
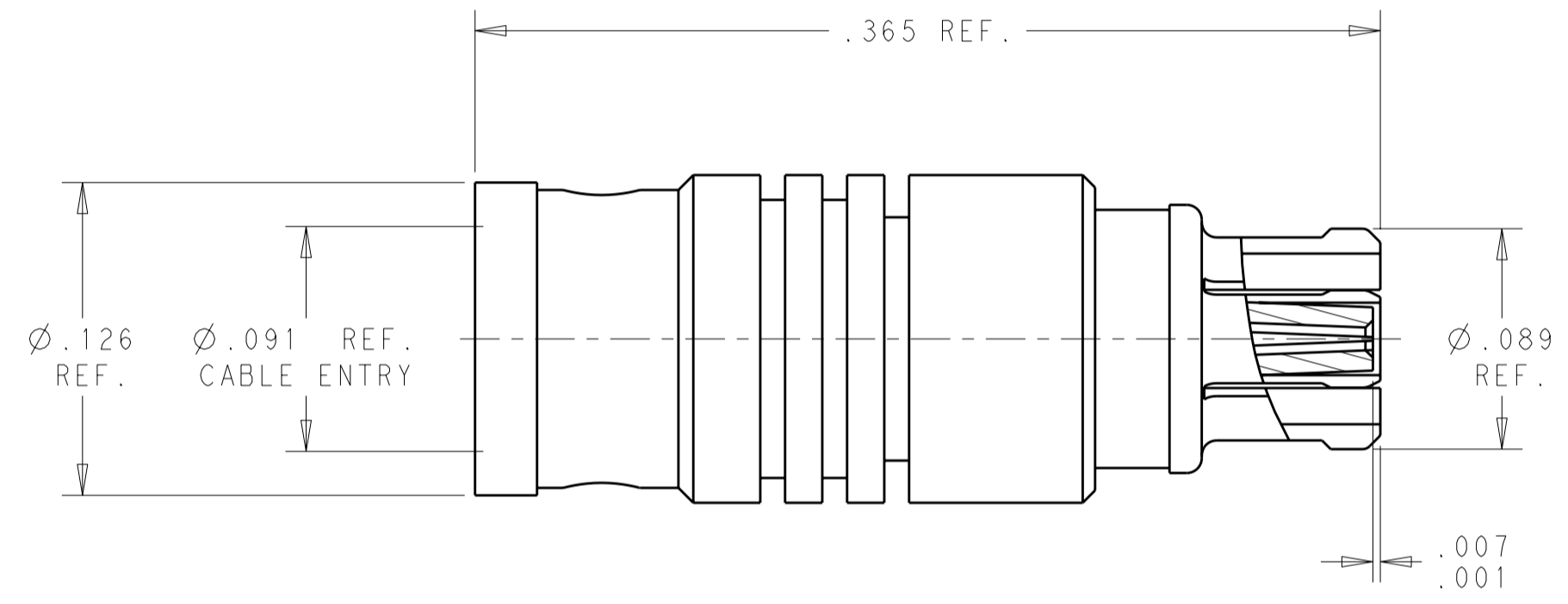
REVISIONS							
LOC	DIST	P	LTR	DESCRIPTION	DATE	DWN	APVD
-	-	C		REV PER ECO 12-008848	5-10-12	CT	WM

1 MATERIAL:  
 BODY, OUTER CONTACT & CENTER CONTACT - BERYLLIUM  
 COPPER ALLOY UNS C17300, CONDITION TD04, PER  
 ASTM B196  
 INSULATOR - TEFLON (PTFE) ROD, PER ASTM D1710

2 FINISH:  
 BODY & CENTER CONTACT - GOLD PLATE PER ASTM B488,  
 OVER NICKEL PLATE, PER SAE-AMS-QQ-N-290



SCALE 10:1



CABLE PREPARATION  
 FOR Ø.086 SEMI-RIGID & CONFORMABLE CABLES

1996328-1  
 PART  
 NUMBER

THIS DRAWING IS A CONTROLLED DOCUMENT.		DWN 12SEPT2007 S. T. Morley	TE Connectivity	
DIMENSIONS: INCHES		CHK 03SEP2010 S. T. Morley		
TOLERANCES UNLESS OTHERWISE SPECIFIED:		APVD 03SEP2010 S. T. Morley	NAME SMPM STRAIGHT CABLE JACK (F) DIRECT SOLDER ATTACHMENT FOR .086 DIA, CABLES	
0 PLC ±.1 1 PLC ±.01 2 PLC ±.005 3 PLC ±.0005 4 PLC ±.0005 ANGLES ±1.0 FINISH		PRODUCT SPEC - APPLICATION SPEC - WEIGHT -	SIZE A200779	DRAWING NO. C-1996328
MATERIAL 1 - 2 -		CUSTOMER DRAWING	RESTRICTED TO -	SCALE 15:1 SHEET 1 OF 1 REV C