

**NOTES:**

21-146-1000-00

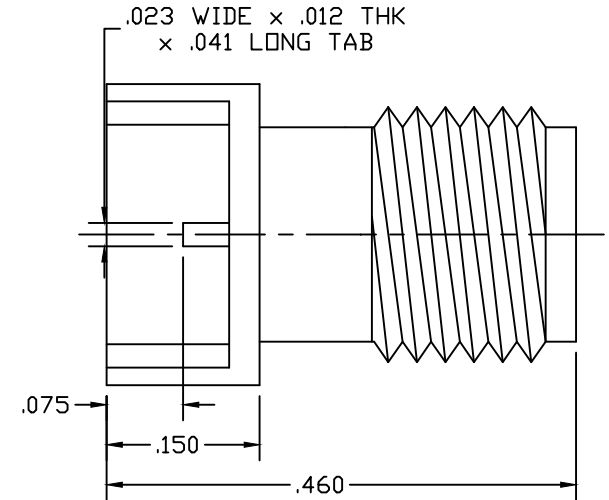
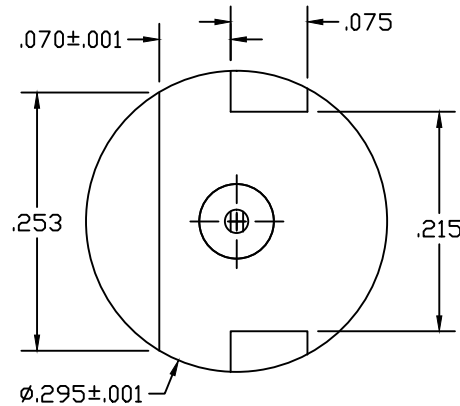
**Materials:** Beryllium Copper per ASTM-B-196, QQ-C-530  
PTFE Fluorocarbon per ASTM-D-1710 Type 1


**Finish:** Center Conductors, body and solder components shall be plated per MIL-G-45204 Type II, Class 1 over Nickel plate per QQ-N-290.

**Frequency:** DC-27 GHz

**VSWR:** 1.2 TO 27 GHz

**Insertion Loss:**  $.05\sqrt{\text{Frequency}}$



LTR	DESCRIPTION	DATE	APPR.	DRAWN <b>LMW</b>	CHECKED	USED ON	 SRI CONNECTOR GAGE CO. 751 NORTH DRIVE MELBOURNE FL. 32934				
-	REL	08/03		APPR.	SCALE	21-146-1000-00					
				UNLESS OTHERWISE SPECIFIED: 1. REMOVE ALL BURRS 2. BREAK ALL CORNERS & EDGES .005 R. MAX 3. CHAMFER 1st & LAST THREADS 45° 4. SURFACE FINISHED 32/ UNLESS OTHERWISE SPECIFIED. 5. DIAMETERS ON COMMON CENTERS TO BE CONCENTRIC WITHIN .002 T.I.R. 6. ALL DIMENSIONS ARE AFTER PLATING.		MATERIAL	TITLE				
				DIMENSIONS ARE IN INCHES TOLERANCES		FINISH	SMA JACK PCB MOUNT FOR .062" BOARD				
				DECIMALS .X ±.030 .XX ±.010 .XXX +.005	FRACTIONAL ± 1/64	ANGULAR .X° ±1°0' .X'X' ±15'		SIZE	FSCM NO.	SHEET	DWG. NO.
						A		OHMO1	1	21-146-1000-00	