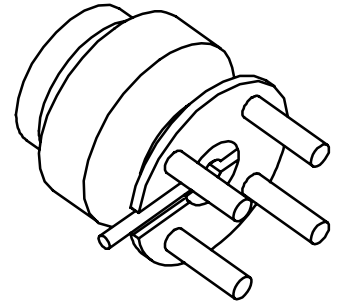


CATALOG NUMBER	"A" INTERFACE
B012-P93-02	FULL DETENT
B012-P95-02	SMOOTH BORE



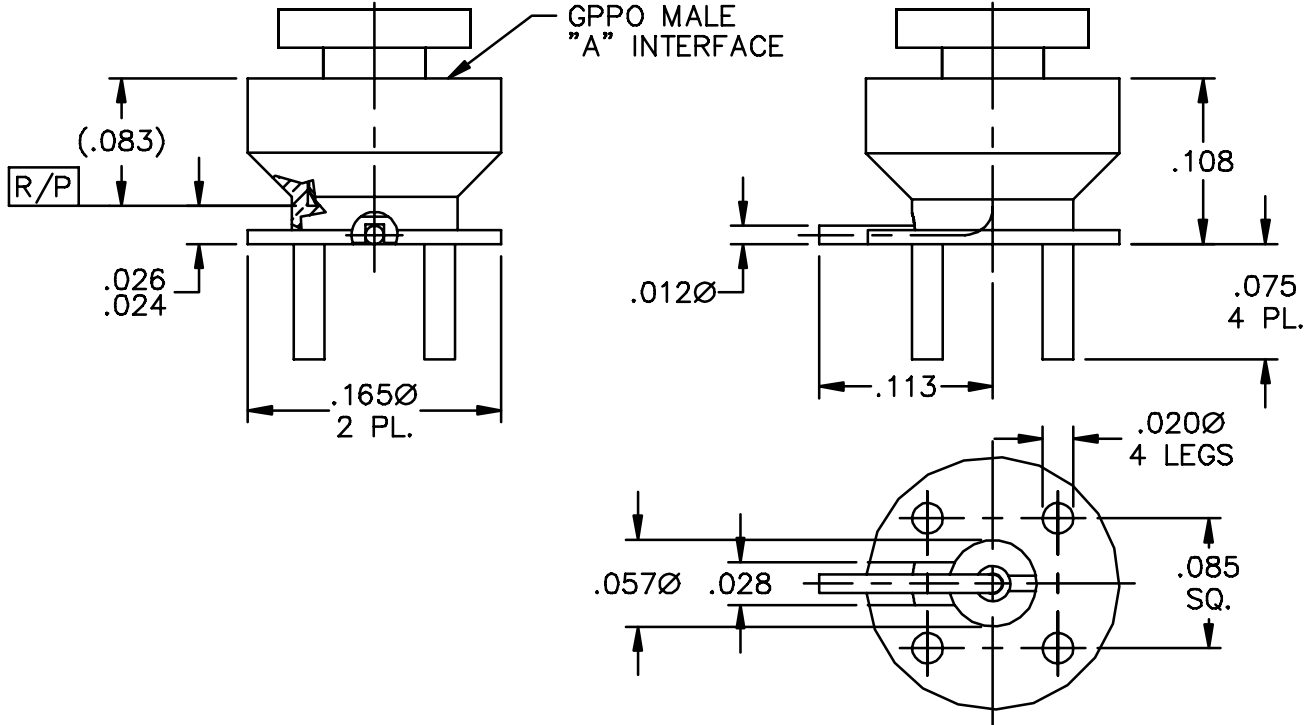
MATERIAL AND FINISH

CENTER CONTACT: BeCu; GOLD PLATE 75 MICROINCHES TYPICAL
OVER NICKEL PLATE 100 MICROINCHES TYPICAL

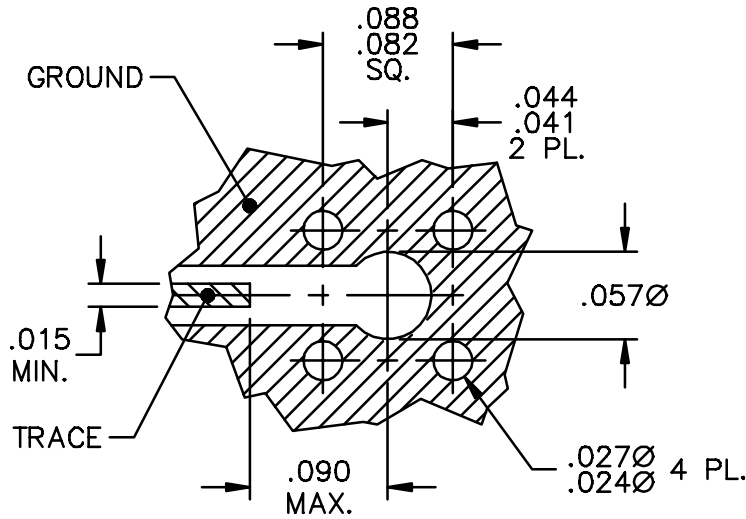
HOUSING: BRASS; GOLD PLATE 75 MICROINCHES TYPICAL
OVER NICKEL PLATE 100 MICROINCHES TYPICAL

DIELECTRIC STOP: POLYAMIDE-IMIDE

ALIGNMENT PLUG: VIRGIN PTFE



RECOMMENDED MOUNTING FOOTPRINT



This drawing and any data contained herein is the property of Corning Gilbert Inc., and constitutes and contains proprietary and confidential information. Neither receipt nor possession of this drawing confers or transfers any right to duplicate, use or disclose any information contained herein except as expressly authorized by Corning Gilbert Inc.

GPPO MALE COPLANAR
SURFACE MOUNT
(TAB DETENT)

IDENT CODE:
82316

REVISION: G

Corning Gilbert Inc.

SOURCE FILE: SK-1904

DWG. NO.: OL-B012-P9X-02

ASSY. PROC.: -