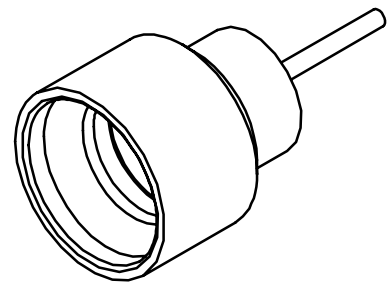


CATALOG NUMBER	"L" = LENGTH	CONTACT END
B007-M43-01-TAB-R	SEE CHART	RADIUS=R
B007-M43-01-TAB-S	SEE CHART	SQUARE=S

TAB EQUALS "L" X 10³



LENGTH CHART
.030
.035
.040
.045
.050
.055
.060
.065
.070
.075
.080
.085
.090
.095
.100
.105
.110
.115
.120
.125
.130
.135
.145

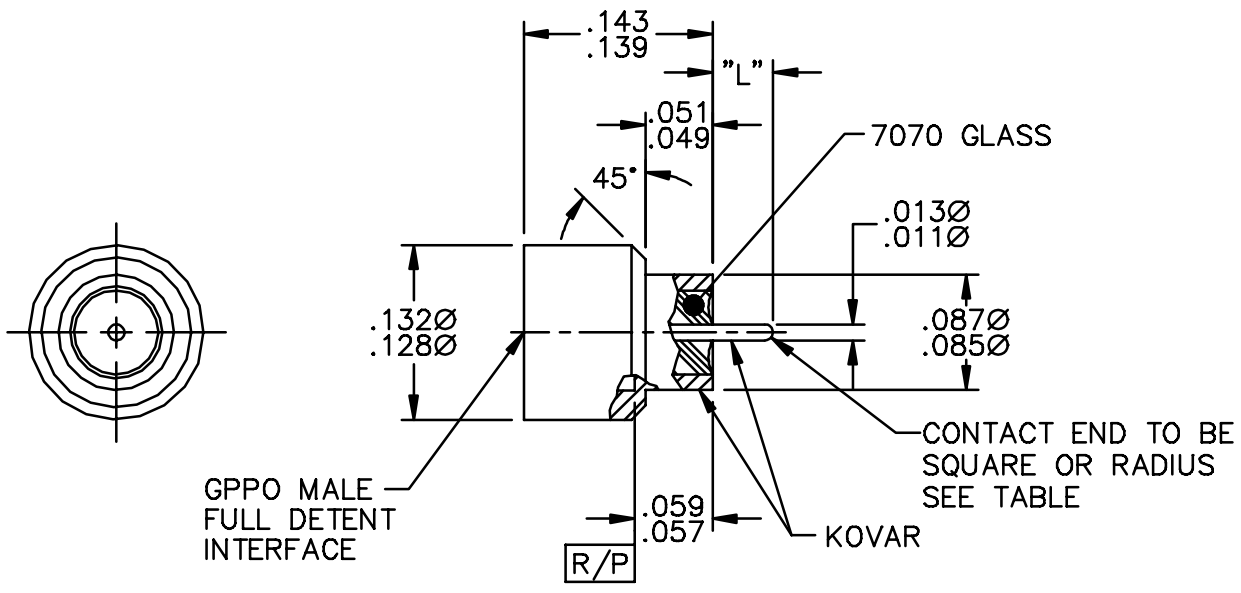
MATERIAL AND FINISH

HOUSING AND PIN:

IRON-NICKEL-COBALT SEALING ALLOY (KOVAR) PER ASTM F 15; GOLD PLATE

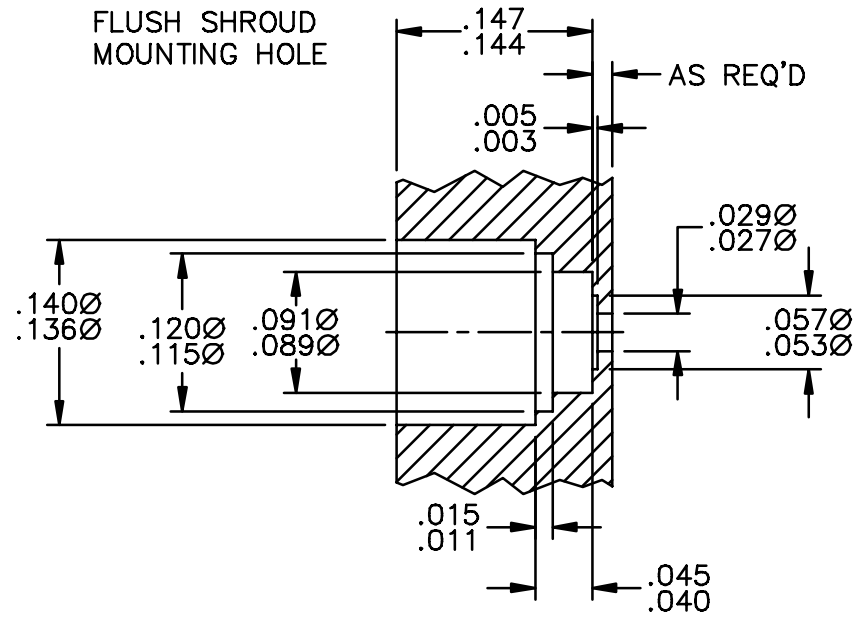
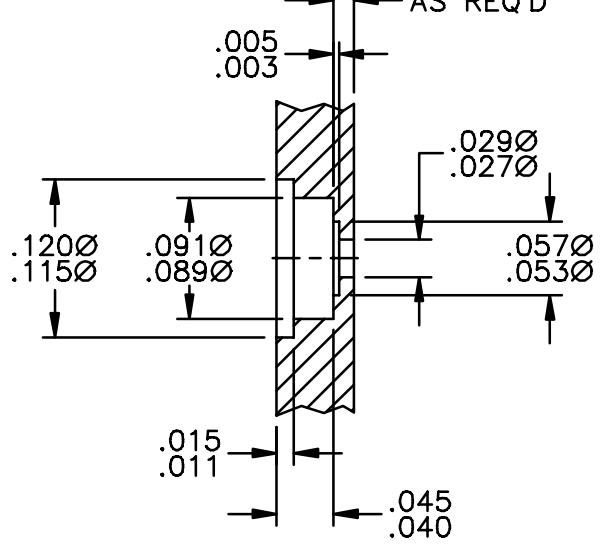
DIELECTRIC:

CORNING 7070 GLASS OR EQUIVALENT



PROTRUDING SHROUD MOUNTING HOLE

FLUSH SHROUD MOUNTING HOLE



This drawing and any data contained herein is the property of Corning Gilbert Inc., and constitutes and contains proprietary and confidential information. Neither receipt nor possession of this drawing confers or transfers any right to duplicate, use or disclose any information contained herein except as expressly authorized by Corning Gilbert Inc.

GPPO MALE FULL DETENT
SOLDER-IN
HERMETIC SHROUD

IDENT CODE:
82316
REVISION: K

Corning Gilbert Inc.

SOURCE FILE: MECR# 2946

DWG. NO.: OL-B007-M43-01-TAB

ASSY. PROC.: -