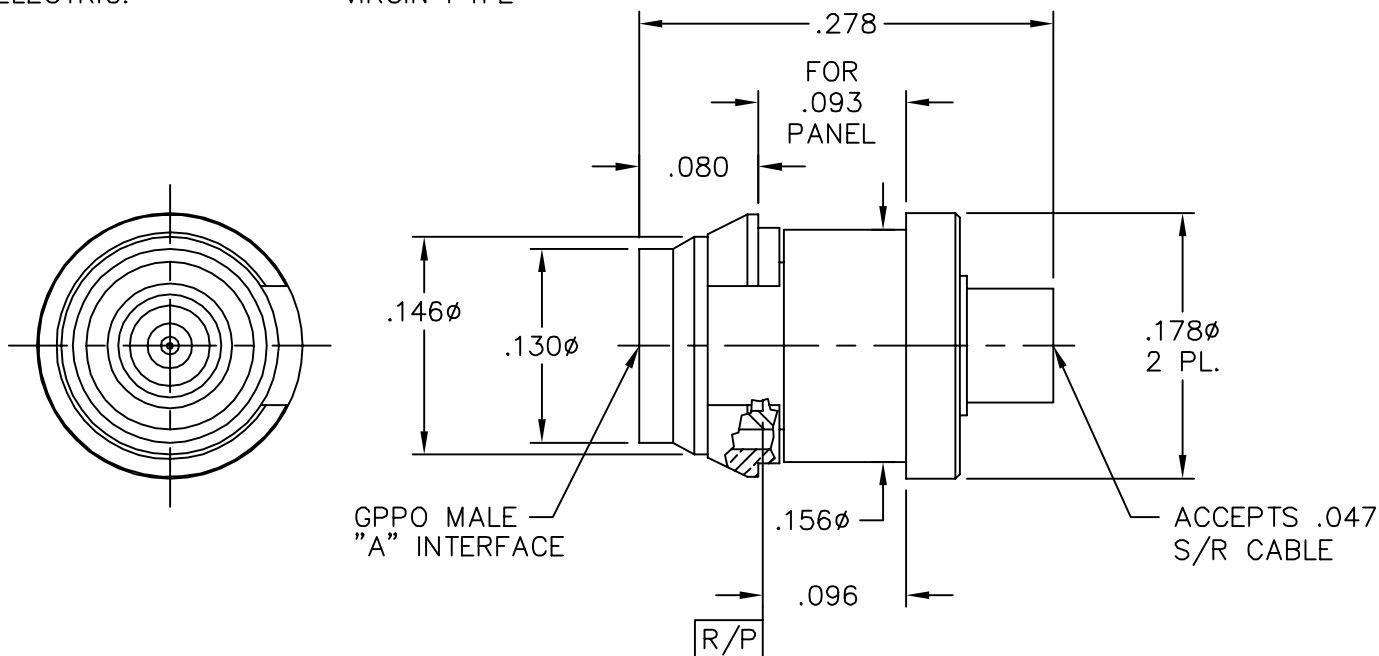
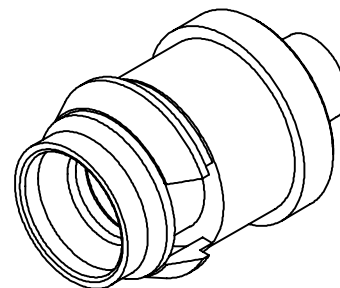


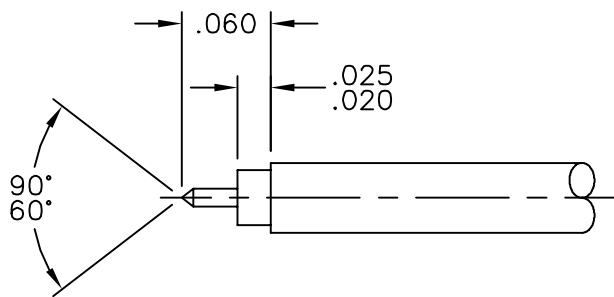
CATALOG NUMBER	"A" INTERFACE
B016-B33-01	FULL DETENT
B016-B35-01	SMOOTH BORE

MATERIAL AND FINISH

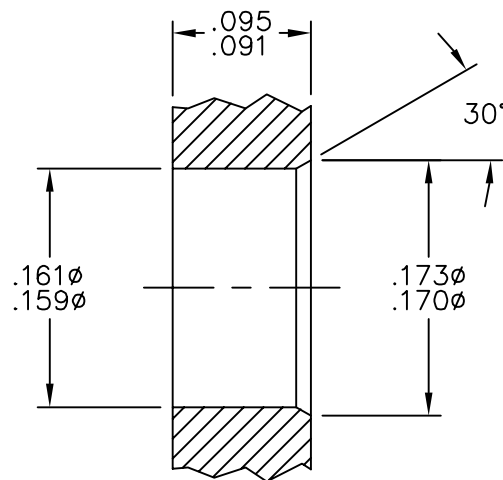
HOUSING: CRES 303; PASSIVATED  
 CENTER CONTACT, BeCu; GOLD PLATE 50-100 MICROINCHES  
 CABLE ADAPTOR, AND SNAP RING: OVER NICKEL PLATE 50 MICROINCHES MIN.  
 DIELECTRIC: VIRGIN PTFE



CABLE PREPARATION



RECOMMENDED MOUNTING HOLE



This drawing and any data contained herein is the property of Corning Gilbert Inc., and constitutes and contains proprietary and confidential information. Neither receipt nor possession of this drawing confers or transfers any right to duplicate, use or disclose any information contained herein except as expressly authorized by Corning Gilbert Inc.

GPPO MALE SNAP-IN BULKHEAD  
 MOUNT TO .047 S/R CABLE  
 (TAB DETENT)

IDENT CODE:

82316

REVISION: E

**Corning Gilbert Inc.**

SOURCE FILE: SK-1516-M

DWG. NO.:

OL-B016-B3X-01

ASSY. PROC.: AP01-094