

CATALOG NUMBER

B014-B11-01

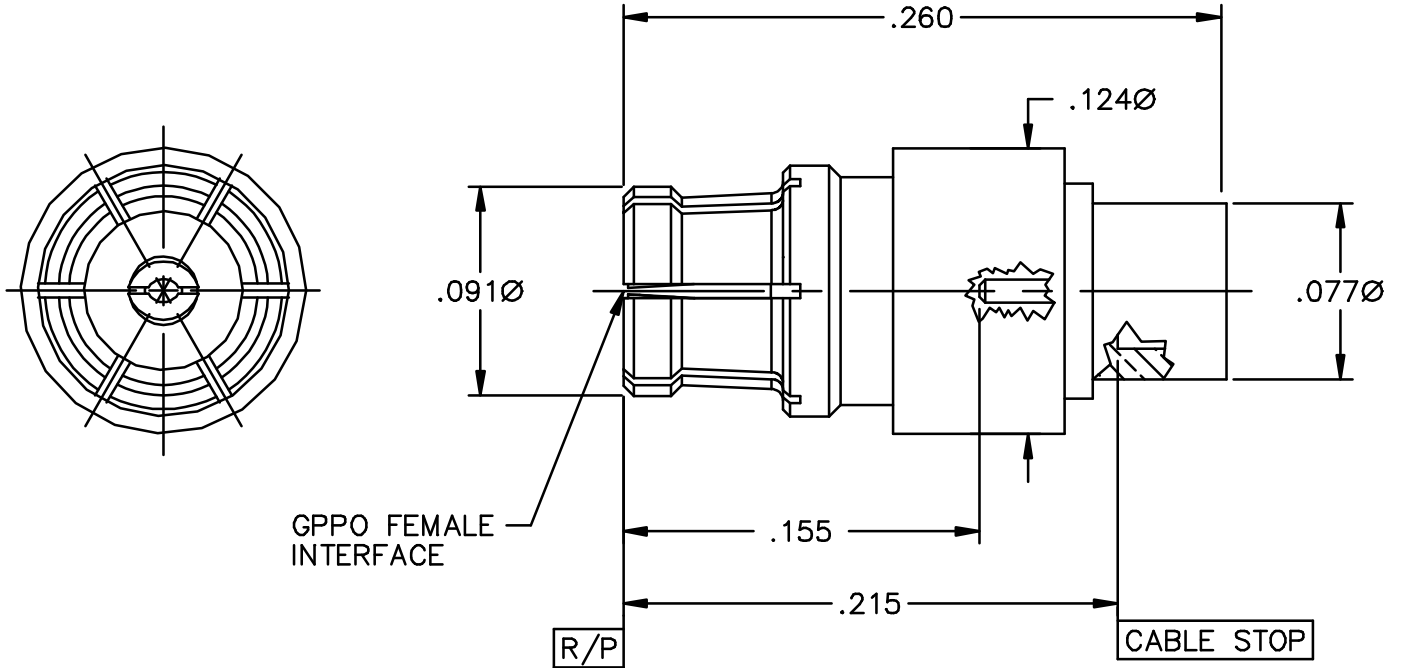
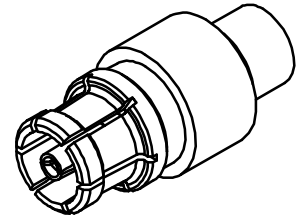
MATERIAL AND FINISH

GPPO HOUSING,  
CENTER CONTACT,  
AND CABLE ADAPTER:

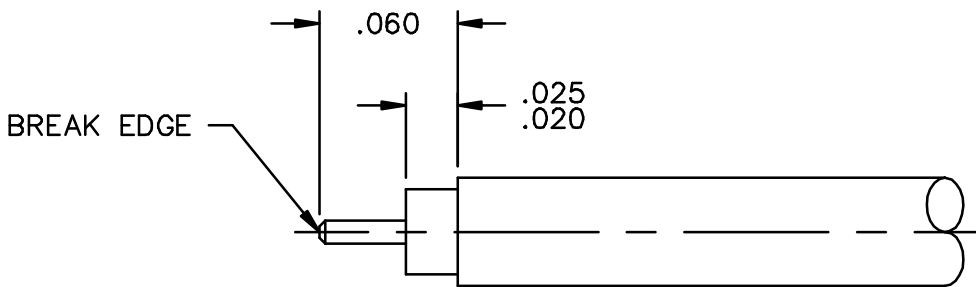
BeCu; GOLD PLATE 50-100 MICRONS  
OVER NICKEL PLATE 50 MICRONS MIN.

DIELECTRIC:

VIRGIN PTFE (TEFLON)



CABLE PREPARATION



This drawing and any data contained herein is the property of Corning Gilbert Inc., and constitutes and contains proprietary and confidential information. Neither receipt nor possession of this drawing confers or transfers any right to duplicate, use or disclose any information contained herein except as expressly authorized by Corning Gilbert Inc.

GPPO FEMALE  
STRAIGHT TO  
.047 S/R CABLE

IDENT CODE:  
82316

REVISION: A

**Corning Gilbert Inc.**

SOURCE FILE: MECR# 2126

DWG. NO.: OL-B014-B11-01

ASSY. PROC.: AP01-133