

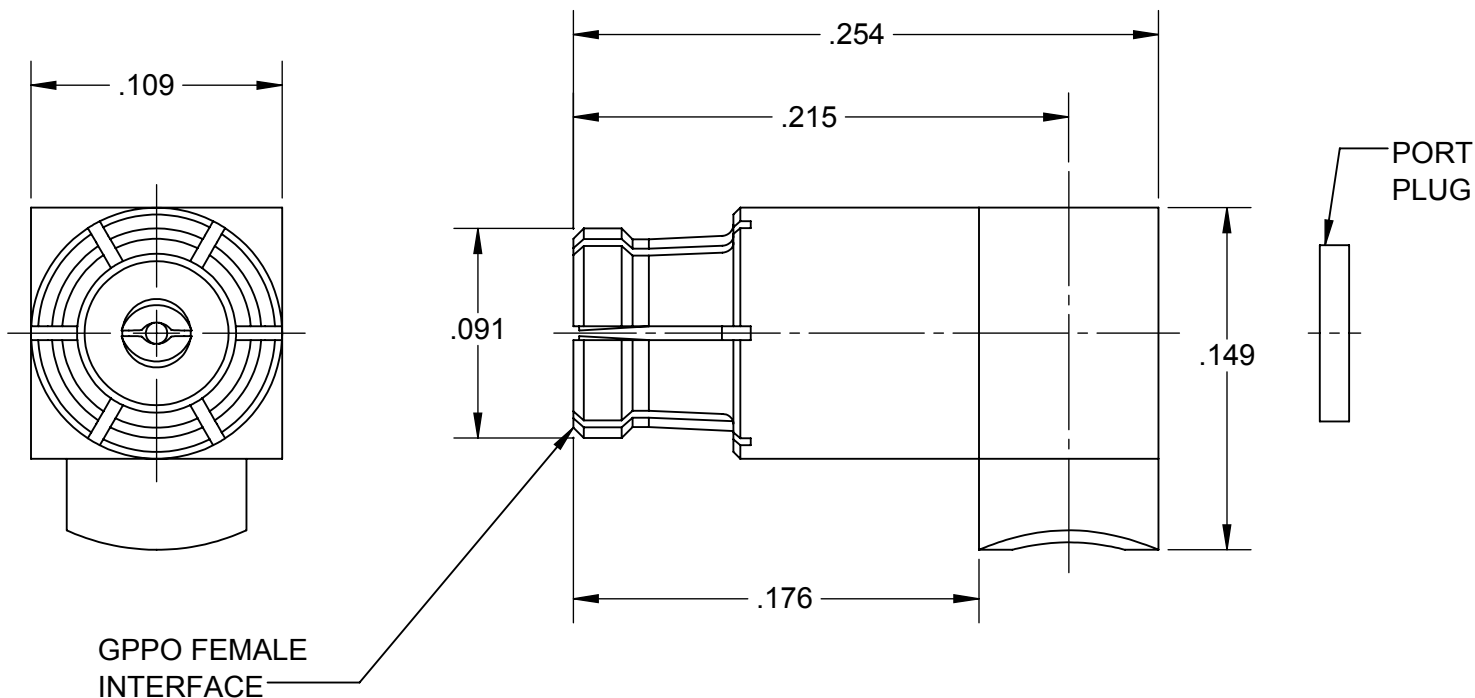
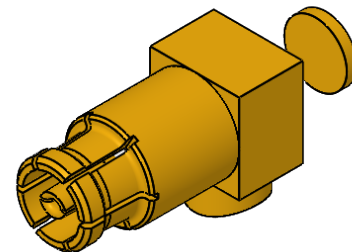
CATALOG NUMBER

B015-B11-05

MATERIAL AND FINISH

HOUSING, PORT PLUG AND CENTER CONTACT: BeCu; GOLD PLATE 75 MICRONS TYPICAL OVER NICKEL PLATE 100 MICRONS TYPICAL

DIELECTRIC: VIRGIN PTFE



CORNING RESTRICTED - This drawing and any data contained herein is the proprietary and confidential information of Corning. Neither receipt nor possession of this drawing provides any right to duplicate, use, or disclose any information contained herein except with the express written consent of Corning.
 EXPORT CONTROL - This document contains information within the purview of the Export Administration Regulations (EAR), 15 CFR 730-774, and may be export controlled.

APPROX. WEIGHT:	0.2247 grams	SIGNATURES	INIT	DATE:
TOLERANCE:		DRAWN:	MV	07/20/18
.XX ±.010 .XXX ±.005 ANGULAR ±5°		CHECKED:	XXX	
		APPROVED:	XXX	

GPPO FEMALE R/A TO .047 S/R CABLE	CAGE CODE:	SCALE:	SIMILAR TO B015-B11-01	PLANT OF ORIGIN
	82316	12:1		
	REVISION:	01	CORNING CORNING PHOENIX PLANT: (623)245-1050 CUSTOMER SERVICE: (800) 651-8869	

SOURCE FILE:	SK-6168	DWG. NO.:	OL-B015-B11-05	ASSY. PROC.:	-
--------------	---------	-----------	----------------	--------------	---