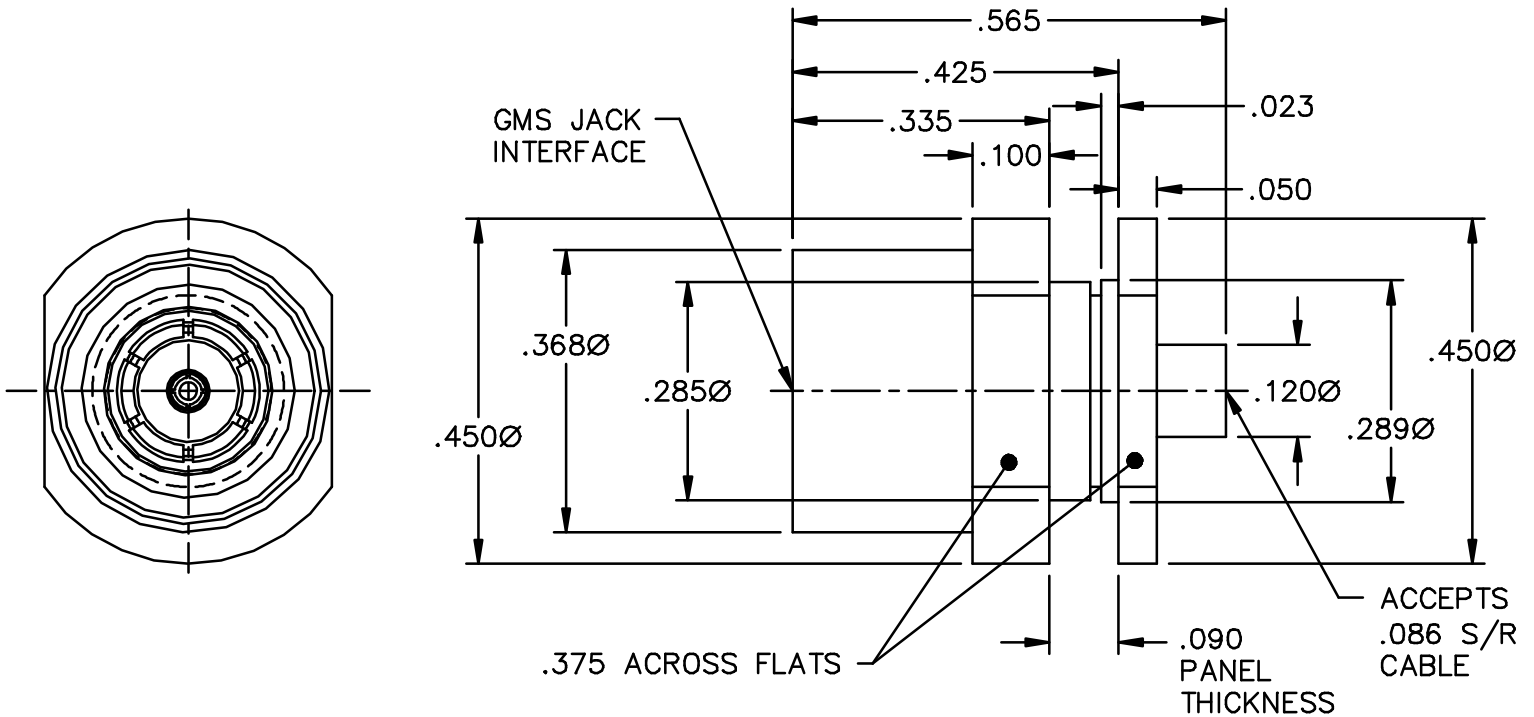
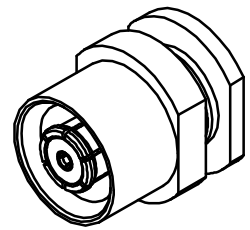


CATALOG NUMBER

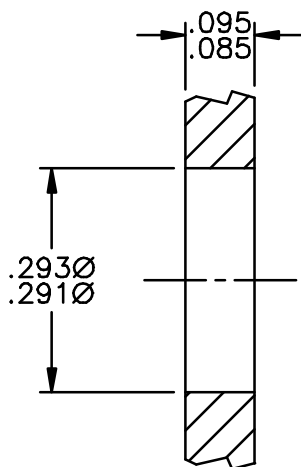
1804-218-1

MATERIAL AND FINISH

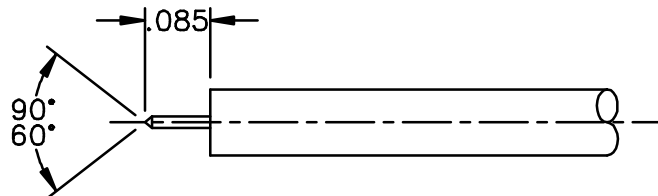
OUTER HOUSING: CRES 303; PASSIVATED
 CENTER CONTACT AND OUTER CONDUCTOR: BeCu; GOLD PLATE 75 MICROINCHES TYPICAL OVER NICKEL PLATE 100 MICROINCHES TYPICAL
 DIELECTRICS: VIRGIN PTFE



RECOMMENDED MOUNTING HOLE



CABLE PREPARATION



This drawing and any data contained herein is the property of Corning Gilbert Inc., and constitutes and contains proprietary and confidential information. Neither receipt nor possession of this drawing confers or transfers any right to duplicate, use or disclose any information contained herein except as expressly authorized by Corning Gilbert Inc.

GMS JACK
 BULKHEAD TO
 .086 S/R CABLE

IDENT CODE:
 82316

REVISION: N

Corning Gilbert Inc.

SOURCE FILE: MECR# 434

DWG. NO.: OL-1804-218-1

ASSY. PROC.: AP18-001