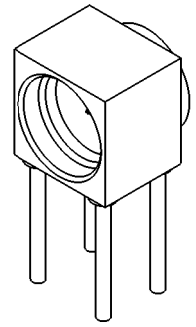
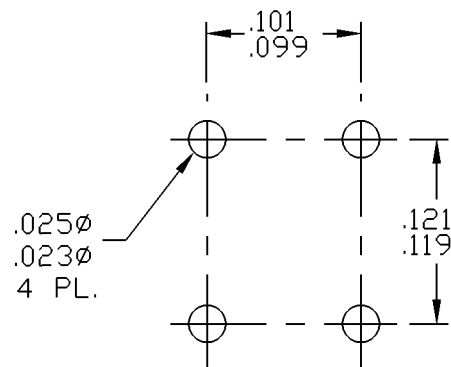
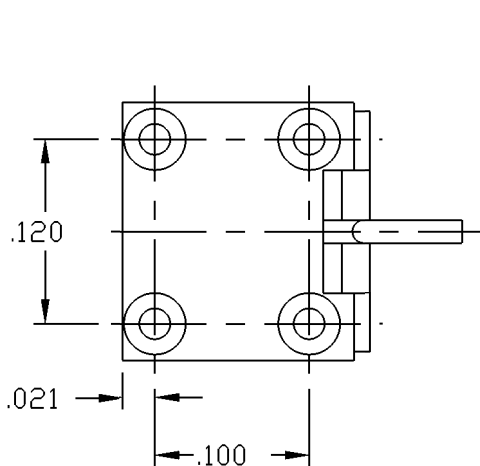
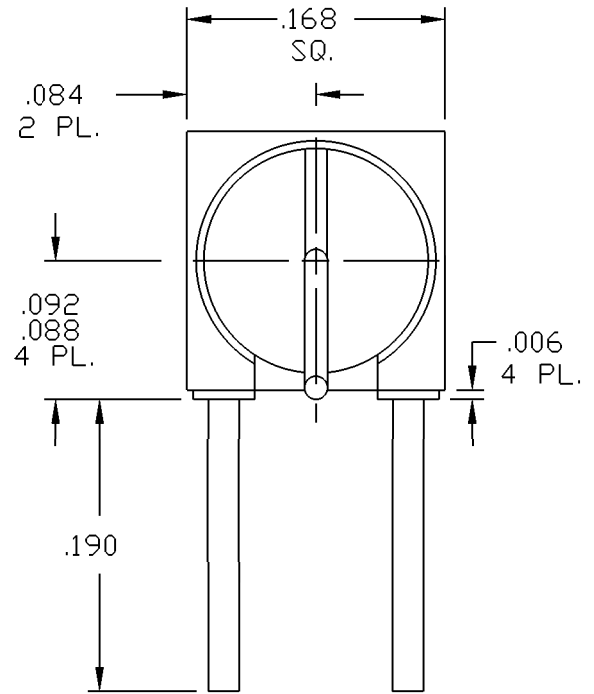
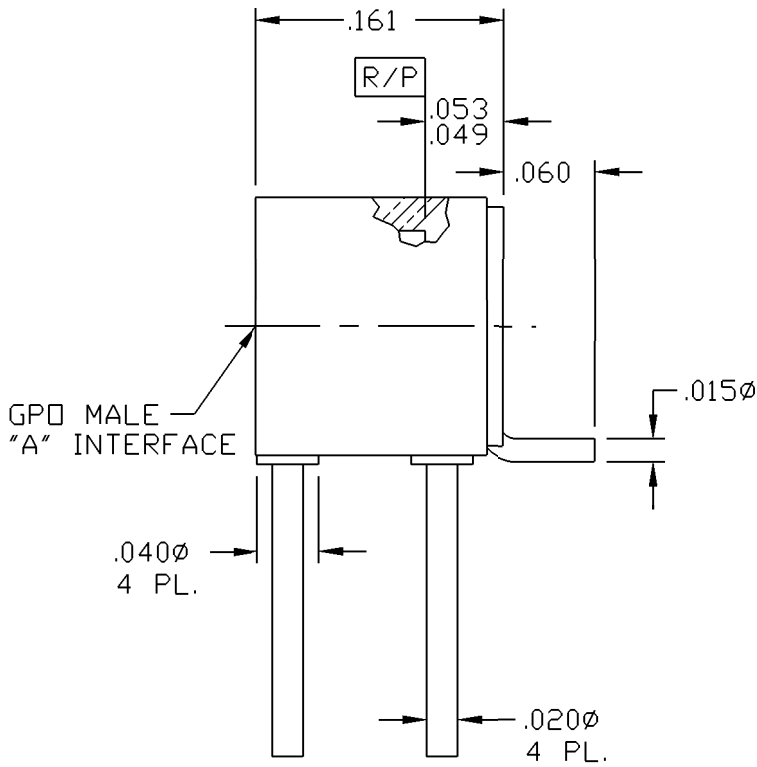


CATALOG NUMBER	"A" INTERFACE
A009-P93-01	FULL DETENT
A009-P94-01	LIMITED DETENT
A009-P95-01	SMOOTH BORE



MATERIAL AND FINISH

CENTER CONTACT AND HOUSING: BRASS; GOLD PLATE 50-100 ? INCHES  
 OVER NICKEL PLATE 50 ? INCHES MIN.  
 DIELECTRIC: ULTEM 1000 (POLYETHERIMIDE)



RECOMMENDED MOUNTING HOLE PATTERN

GPO MALE  
 R/A PCB MOUNT  
 (TAB DETENT)

IDENT CODE:  
 82316

REVISION: A

**GILBERT ENGINEERING**

SOURCE FILE: SK-1822

DWG. NO.: 01-A009-P9X-01

ASSY. PROC.: -