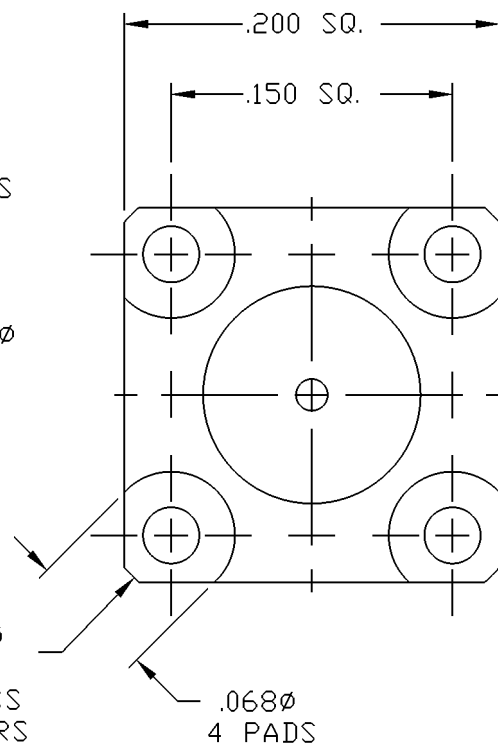
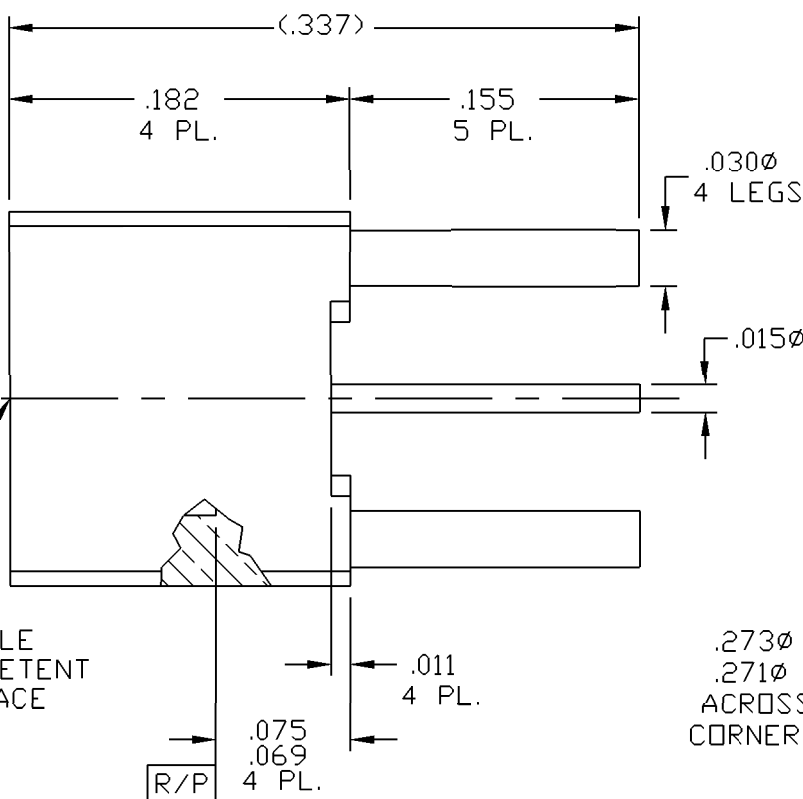
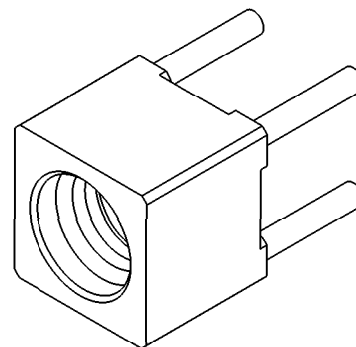


CATALOG NUMBER

0119-412-1

MATERIAL AND FINISH

CENTER CONTACT: BeCu; GOLD PLATE 50-100 ? INCHES
 AND HOUSING: OVER NICKEL PLATE 50 ? INCHES MIN.
 DIELECTRIC: VIRGIN PTFE (TEFLON)



GPO MALE FULL DETENT INTERFACE

R/P

GPO MALE FULL DETENT
 STRAIGHT TO
 P.C.B. (>50 OHMS)

IDENT CODE:
 82316

REVISION: B

GILBERT ENGINEERING

SOURCE FILE: SK-1008

DWG. NO.: OL-0119-412-1

ASSY. PROC.: -