

CATALOG NUMBER

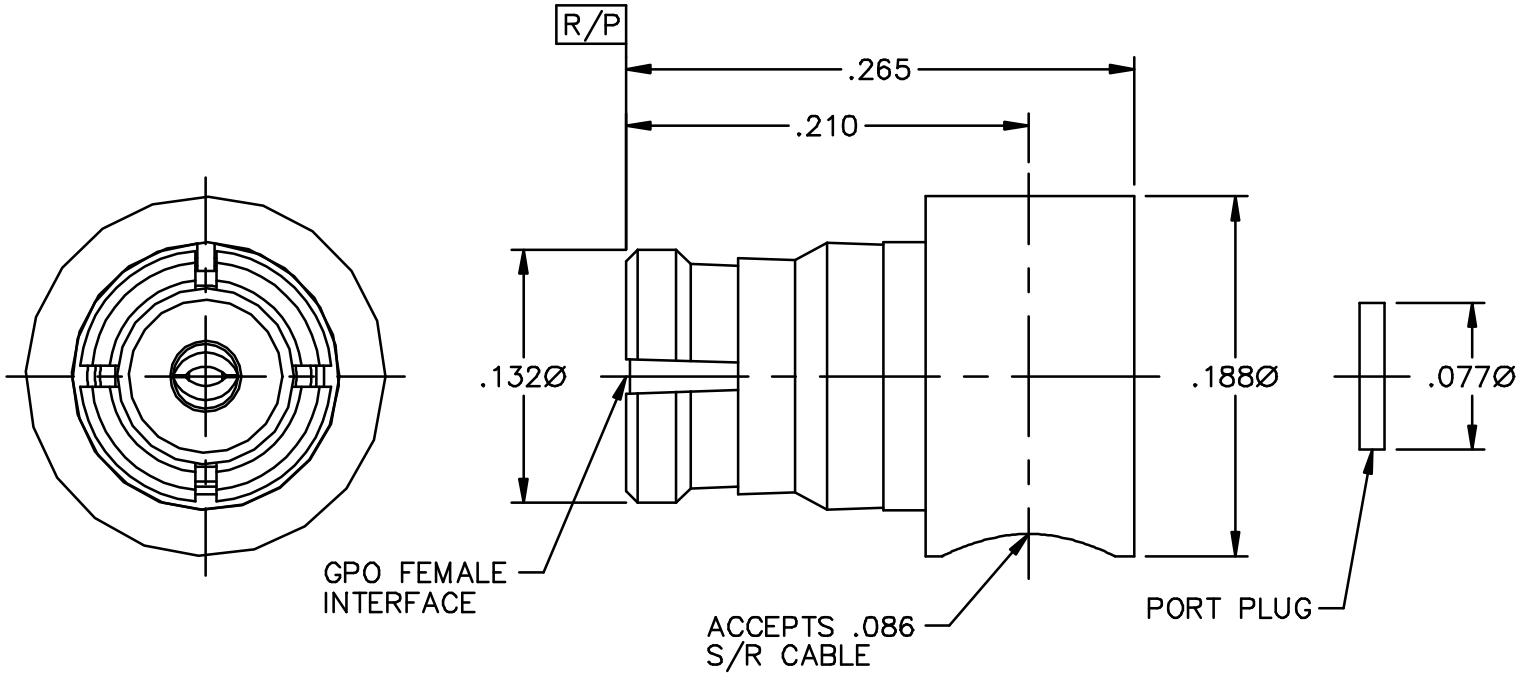
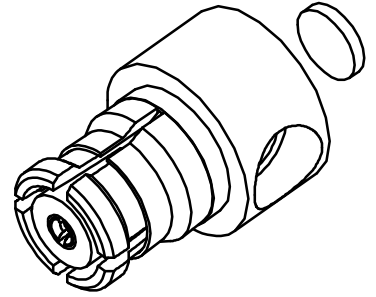
A015-D11-01

MATERIAL AND FINISH

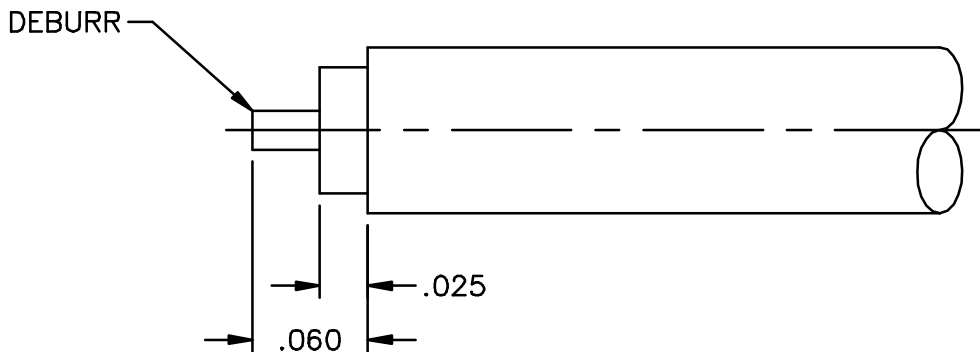
HOUSING, CONTACT,
PORT PLUG, AND
ANTI-ROCK/EMI RING:
DIELECTRIC:

BeCu; GOLD PLATE 50-100 MICROINCHES
OVER NICKEL PLATE 50 MICROINCHES MIN.

VIRGIN PTFE (TEFLON)



CABLE PREPARATION



This drawing and any data contained herein is the property of Corning Gilbert Inc., and constitutes and contains proprietary and confidential information. Neither receipt nor possession of this drawing confers or transfers any right to duplicate, use or disclose any information contained herein except as expressly authorized by Corning Gilbert Inc.

GPO FEMALE R/A
TO .086 S/R CABLE
(HIGH PERFORMANCE)

IDENT CODE:
82316

REVISION: B1

Corning Gilbert Inc.

SOURCE FILE: SK-1930

DWG. NO.: OL-A015-D11-01

ASSY. PROC.: AP01-115