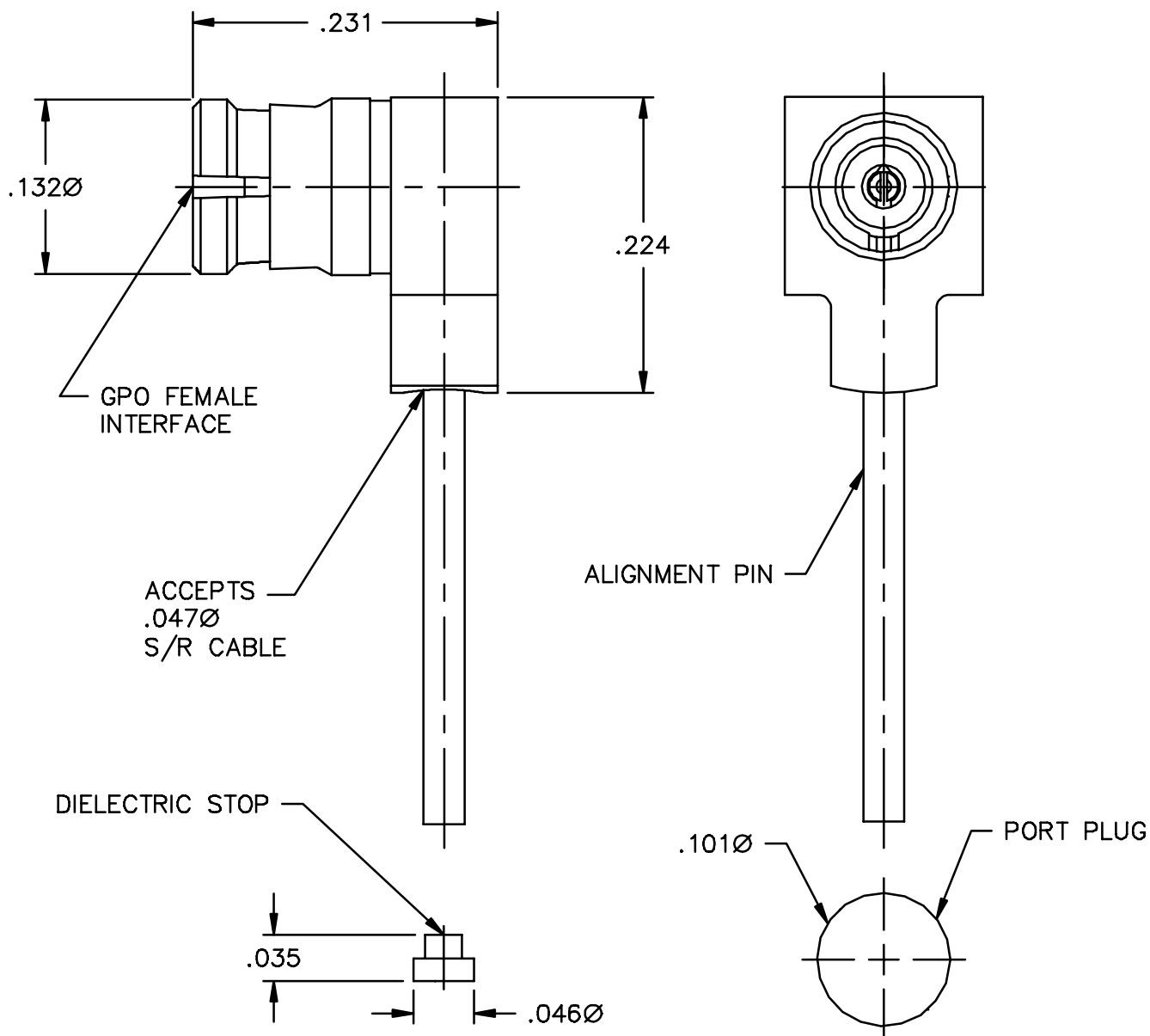
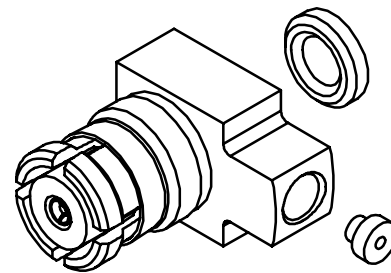


CATALOG NUMBER

A015-B71-01

MATERIAL AND FINISH

ALIGNMENT PIN: CRES 303; PASSIVATED
 HOUSING, PORT PLUG, CENTER CONTACT, AND ANTI-ROCK/EMI RING: BeCu; GOLD PLATE 50-100 MICRONS OVER NICKEL PLATE 50 MICRONS MIN.
 DIELECTRIC: VIRGIN PTFE (TEFLON)
 DIELECTRIC STOP AND REAR TORLON: TORLON (POLYAMIDE-IMIDE)



This drawing and any data contained herein is the property of Corning Gilbert Inc., and constitutes and contains proprietary and confidential information. Neither receipt nor possession of this drawing confers or transfers any right to duplicate, use or disclose any information contained herein except as expressly authorized by Corning Gilbert Inc.

GPO FEMALE
 R/A TO .047
 S/R CABLE

IDENT CODE:
 82316

REVISION: G

Corning Gilbert Inc.

SOURCE FILE: MECR# 2299

DWG. NO.:

OL-A015-B71-01

ASSY. PROC.: AP01-019