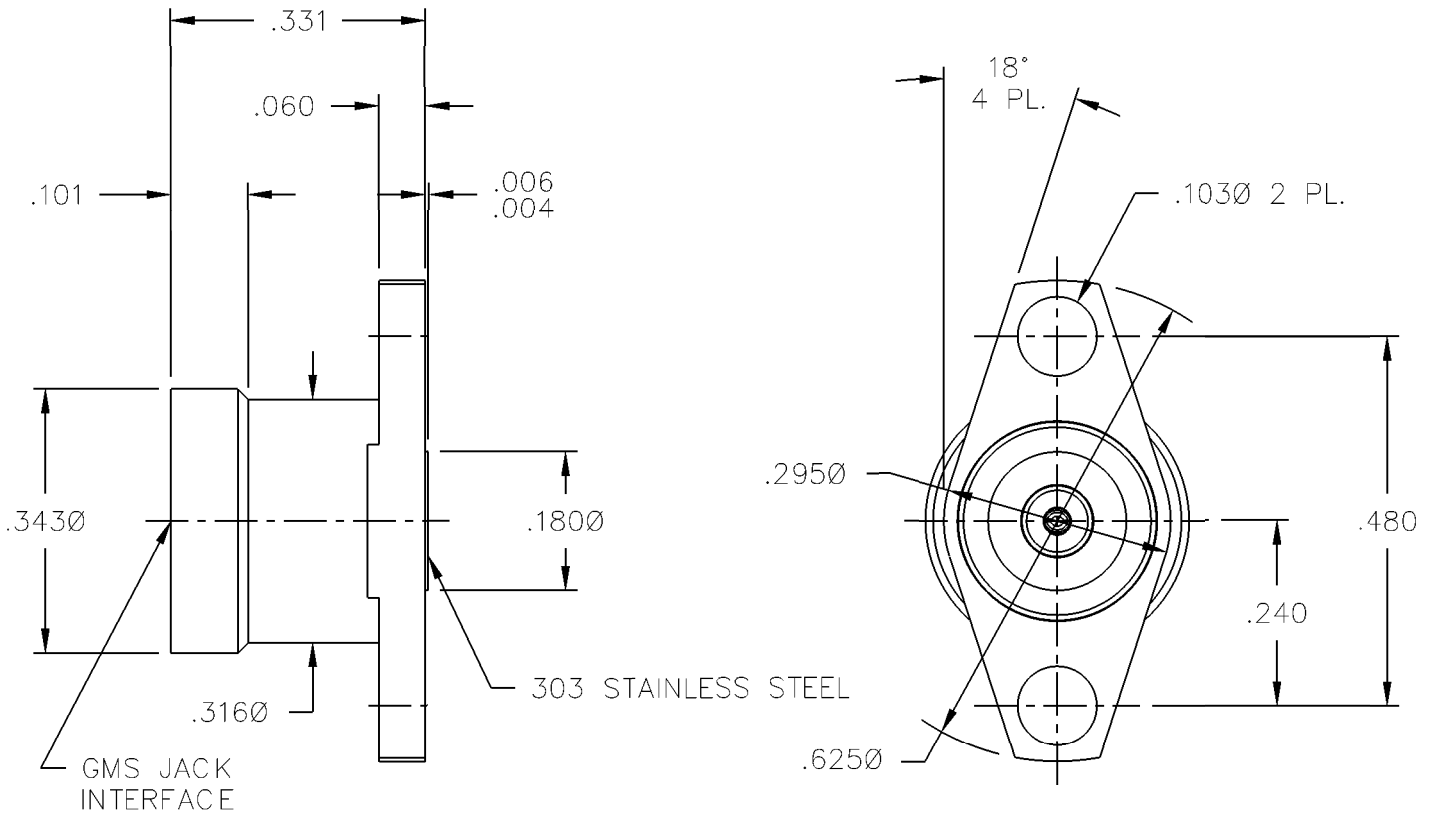
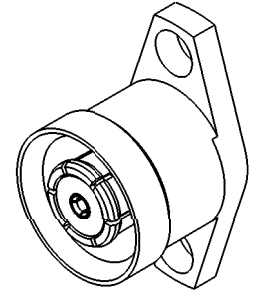


CATALOG NUMBER

1816-504-3

MATERIAL AND FINISH

FLANGE HOUSING AND CONTACT RING: CRES 303; PASSIVATED  
 CENTER CONTACT AND OUTER CONDUCTOR: BeCu; GOLD PLATE 75 MICRONS TYPICAL OVER NICKEL PLATE 100 MICRONS TYPICAL  
 DIELECTRICS: VIRGIN PTFE



NOTES:

- 1. 100% INSERTION LOSS SCREENING.

CORNING RESTRICTED - This drawing and any data contained herein is the proprietary and confidential information of Corning. Neither receipt nor possession of this drawing provides any right to duplicate, use, or disclose any information contained herein except with the express written consent of Corning.  
 EXPORT CONTROL - This document contains information within the purview of the Export Administration Regulations (EAR), 15 CFR 730-774, and may be export controlled.

GMS JACK 2 HOLE  
 FLANGE MOUNT  
 ACCEPTS .015 C/C

IDENT CODE:  
 82316  
 REVISION: G

**Corning Gilbert Inc.**

SOURCE FILE: MECR# 729

DWG. NO.: OL-1816-504-3

ASSY. PROC.: -