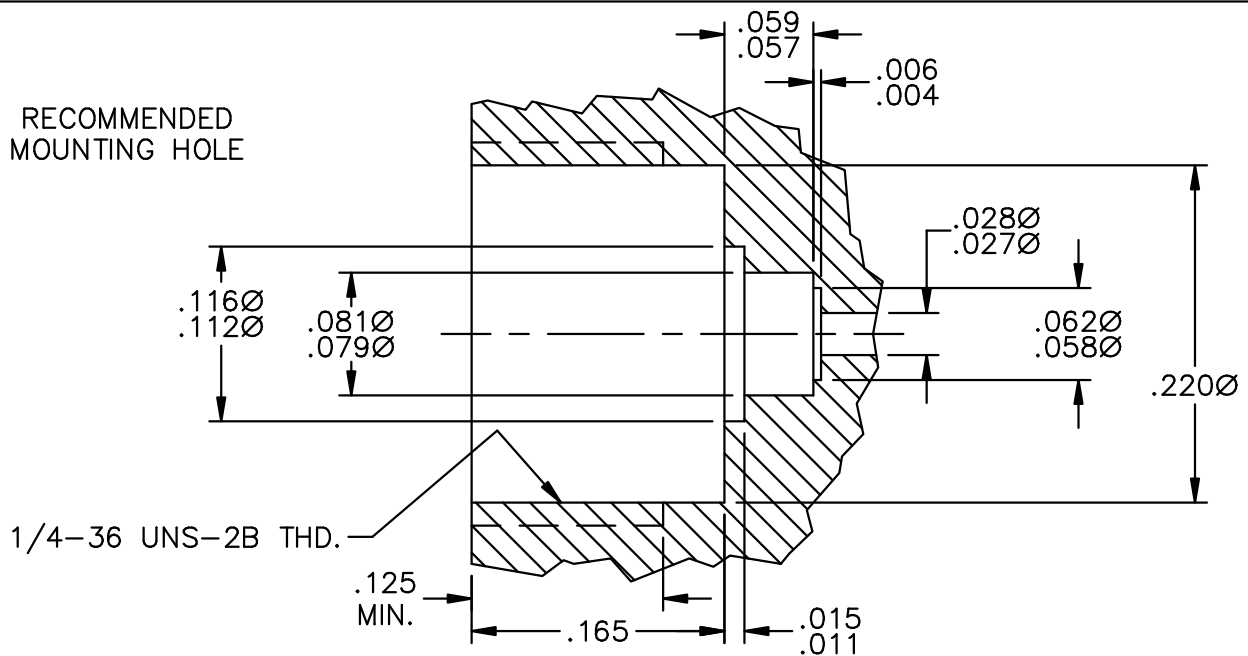
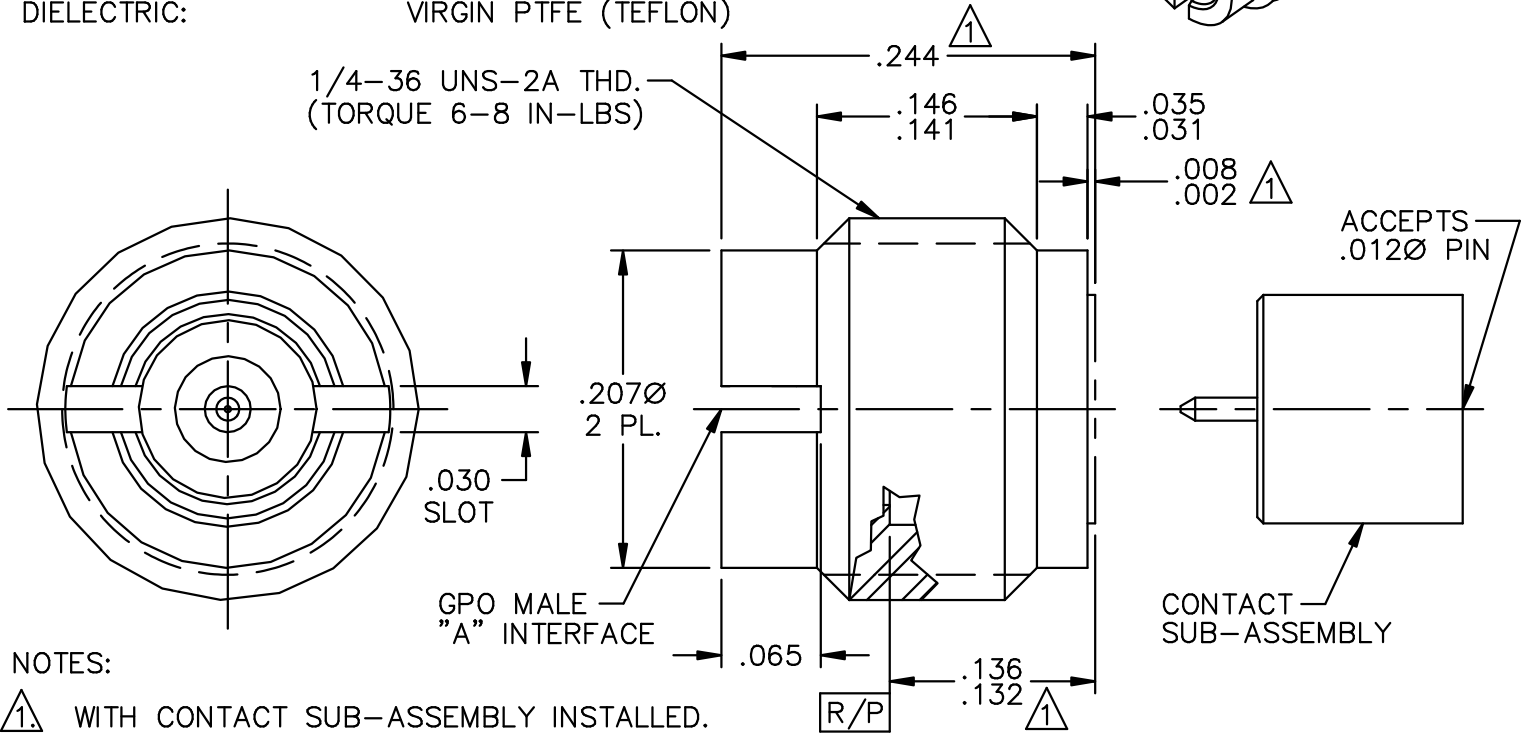
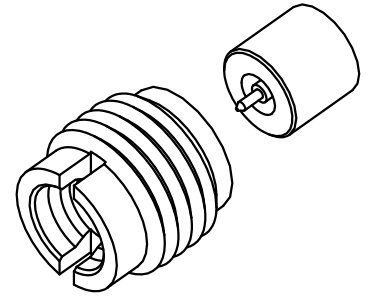


CATALOG NUMBER	"A" INTERFACE
0119-232-3-FD	FULL DETENT
0119-232-3-LD	LIMITED DETENT
0119-232-3-SB	SMOOTH BORE

MATERIAL AND FINISH

SHROUD: CRES 303; PASSIVATED
 CENTER CONTACT: BeCu; GOLD PLATE 50-100 MICRONS OVER NICKEL PLATE 50 MICRONS MIN.
 DIELECTRIC: VIRGIN PTFE (TEFLON)



This drawing and any data contained herein is the property of Corning Gilbert Inc., and constitutes and contains proprietary and confidential information. Neither receipt nor possession of this drawing confers or transfers any right to duplicate, use or disclose any information contained herein except as expressly authorized by Corning Gilbert Inc.

GPO MALE THREAD-IN
 SHROUD ACCEPTS .012 PIN
 (TAB DETENT)

IDENT CODE:
 82316
 REVISION: C

Corning Gilbert Inc.

SOURCE FILE: SK-1523

DWG. NO.: OL-0119-232-3-TAB

ASSY. PROC.: AP01-104