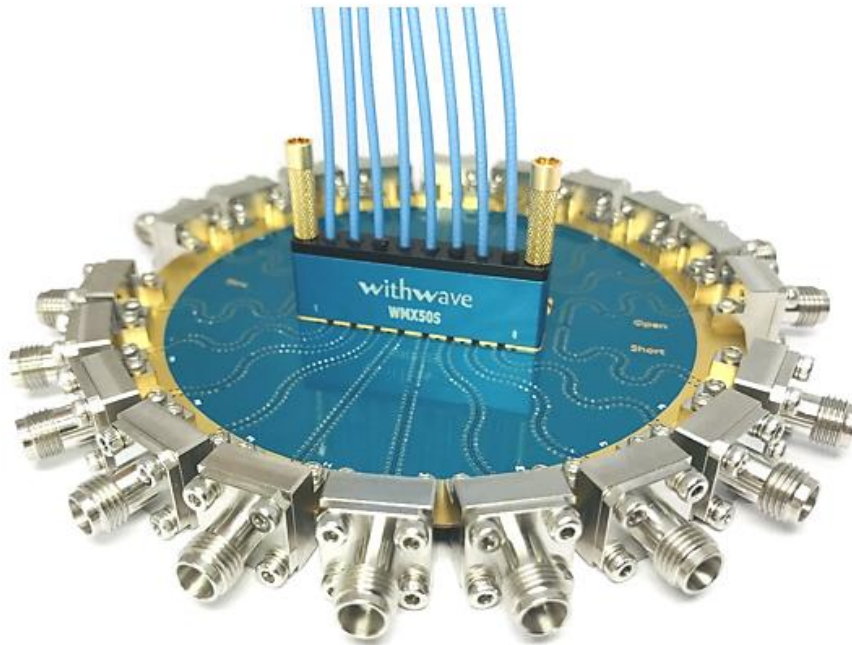


Withwave's High Speed & High-density Multicoax Cable Assemblies (WMX Series) provides a wide range of multiple coax connectors and flexible cable assemblies with a choice of 20,40,50,67 GHz configurations based on precision array design and superior high frequency cabling solutions.

WMX Series are excellent signal integrity solutions for bench-top testing and automated test equipment to meet increasing demands of semiconductor test equipment and optical testing industries.

These products consist of high performance flexible assemblies which can be bundled in housings (8 and 16 channels) and the interface to board is compression type which provides lower total cost of testing by avoiding costly soldering components.



■ Features

- Frequency Range : DC to 20, 40, 50 & 67 GHz
- Excellent Insertion and Return loss performance
- Socket & Direct Contact type
- No. of Channel : 1x8, 2x8 Channel
- Pitch : 2.54 mm & 4.00 mm

■ Applications

- Semiconductor & Optical test equipment
- High speed testing module
- Super Computing
- 5G Communication systems

■ Specification

Scope	Specification	WMX20	WMX40	WMX50	WMX67
Electrical	Freq. Range (Max)	20	40	50	67
	Operating range/data rate	20 Gbps	40 Gbps	50 Gbps	67 Gbps
	Impedance	50 Ohm			
	VSWR *	1.3	1.4	1.4	1.5
	Cross-talk *	<-50 dB	<-50 dB	<-50 dB	<-50 dB
Mechanical & Environmental	PCB Contact type	Socket type		Direct Contact type	
	No. of Channel	1x8 (8 Channel) 2x8 (16 Channel)			
	Connector type	SMA	2.92 mm	2.4 mm	1.85 mm
	Pitch	2.54 mm 4.00 mm			
	Cable Out Diameter **	0.047 inch			
	Temperature	-55 ~+125°C			

* Test Condition

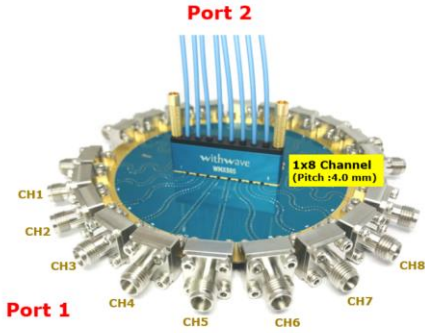
- Cable length : 150 mm(O.D : 0.047 inch), Pitch : 4.0 mm

- PCB : Multilayer (RO4003C 8 mil + FR4 16 mil), RF Trace Length : 44.14 mm(CBCPW Structure)

** Please see cable specification for detail information (Page 12)



■ Test Results (WMX40)

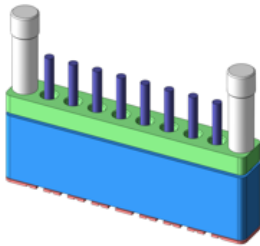


Test Condition

- **WMX40 (Socket & Direct Contact) : 1x8 Channel**
 - Cable length : 150 mm(O.D : 0.047 inch)
 - Pitch : 4.0 mm
 - Connector : 2.92 mm (Female)
- **Test Board**
 - PCB : Multilayer (RO4003C 8 mil + FR4 16 mil)
 - RF Trace length : 44.14 mm(**CBCPW Structure**)
 - Connector: End Launch 2.92 mm(Female)

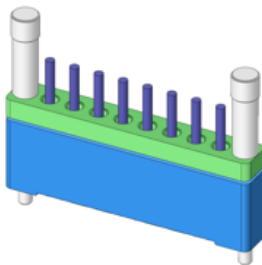
Socket Type

- Freq.: 10 MHz to 40 GHz

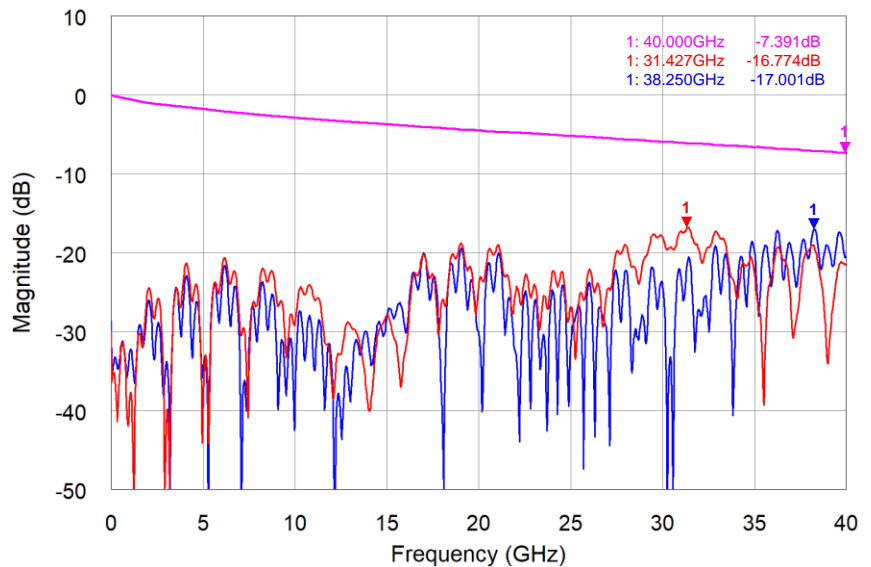
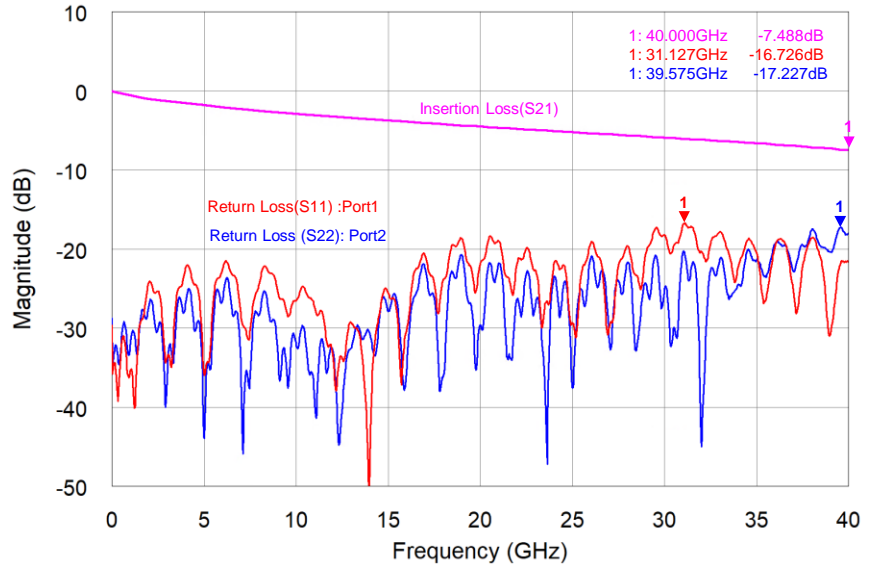


Direct Contact Type

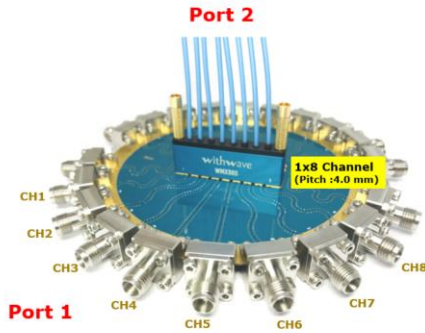
- Freq.: 10 MHz to 40 GHz



Insertion & Return Loss



■ Test Results (WMX50)

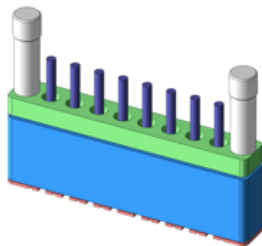


Test Condition

- **WMX50 (Socket & Direct Contact) : 1x8 Channel**
 - Cable length : 150 mm(O.D : 0.047 inch)
 - Pitch : 4.0 mm
 - Connector : 2.4 mm (Female)
- **Test Board**
 - PCB : Multilayer (RO4003C 8 mil + FR4 16 mil)
 - RF Trace length : 44.14 mm(**CBCPW Structure**)
 - Connector: End Launch 2.4 mm(Female)

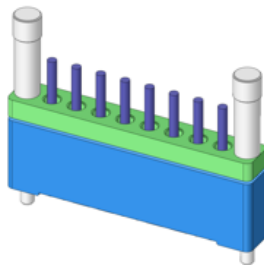
Socket Type

- Freq.: 10 MHz to 50 GHz

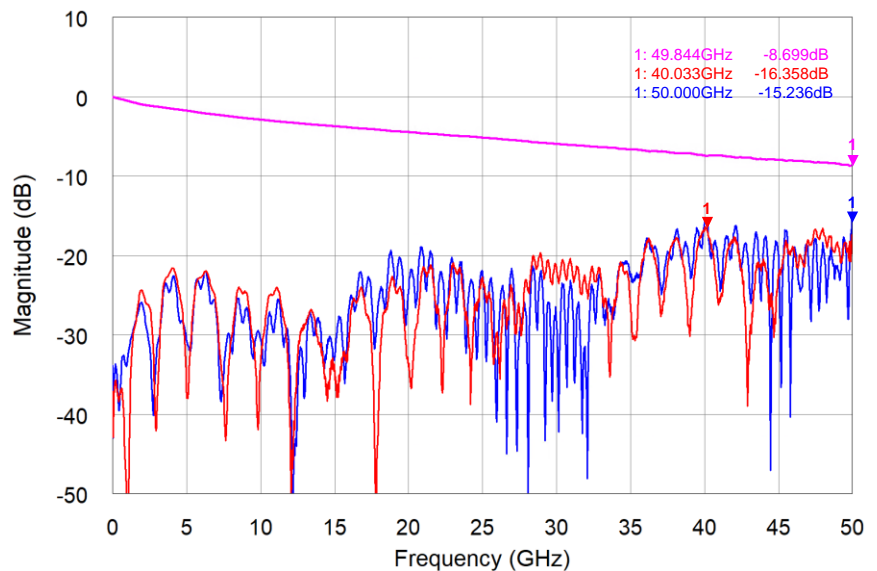
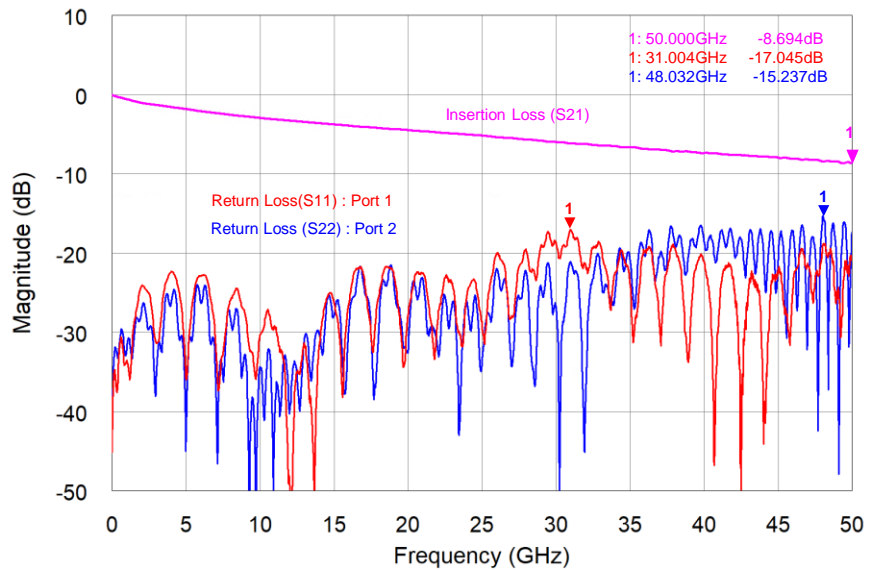


Direct Contact Type

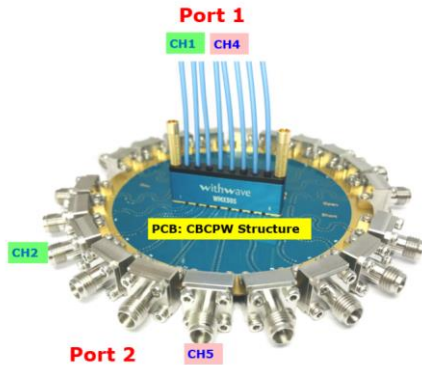
- Freq.: 10 MHz to 50 GHz



Insertion & Return Loss



■ Test Results (WMX50)

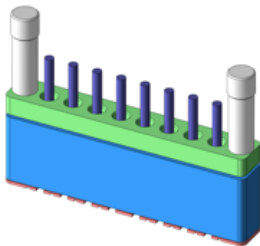


Test Condition

- **WMX50 (Socket & Direct Contact) : 1x8 Channel**
 - Cable length : 150 mm(O.D : 0.047 inch)
 - Pitch : 4.0 mm
 - Connector : 2.4 mm (Female)
- **Test Board**
 - PCB : Multilayer (RO4003C 8 mil + FR4 16 mil)
 - RF Trace length : 44.14 mm(**CBCPW Structure**)
 - Connector: End Launch 2.4 mm(Female)

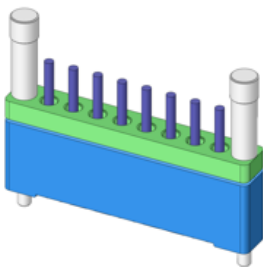
Socket Type

- Freq.: 10 MHz to 50 GHz

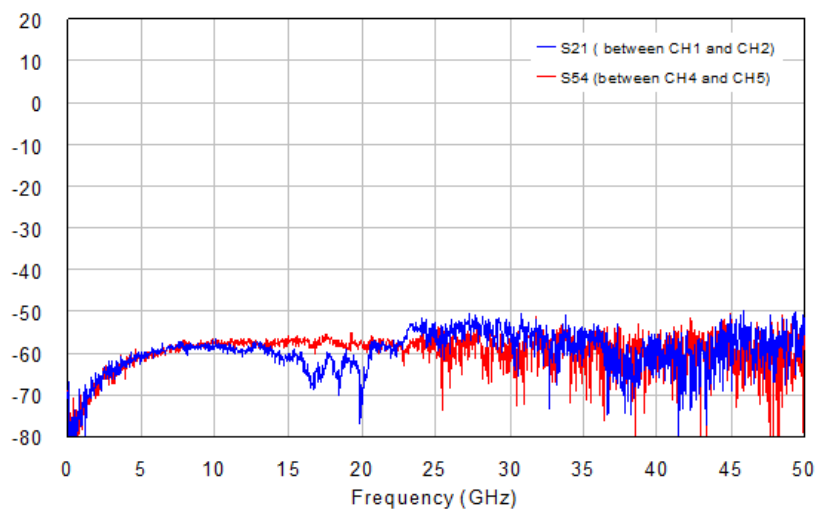
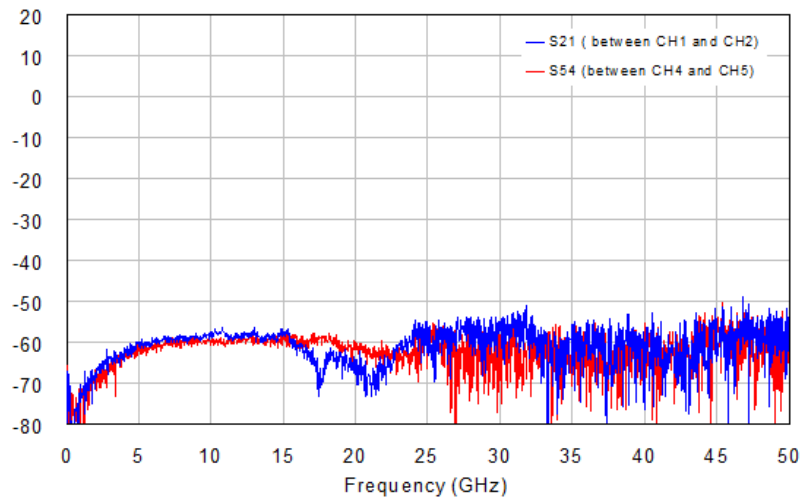


Direct Contact Type

- Freq.: 10 MHz to 50 GHz

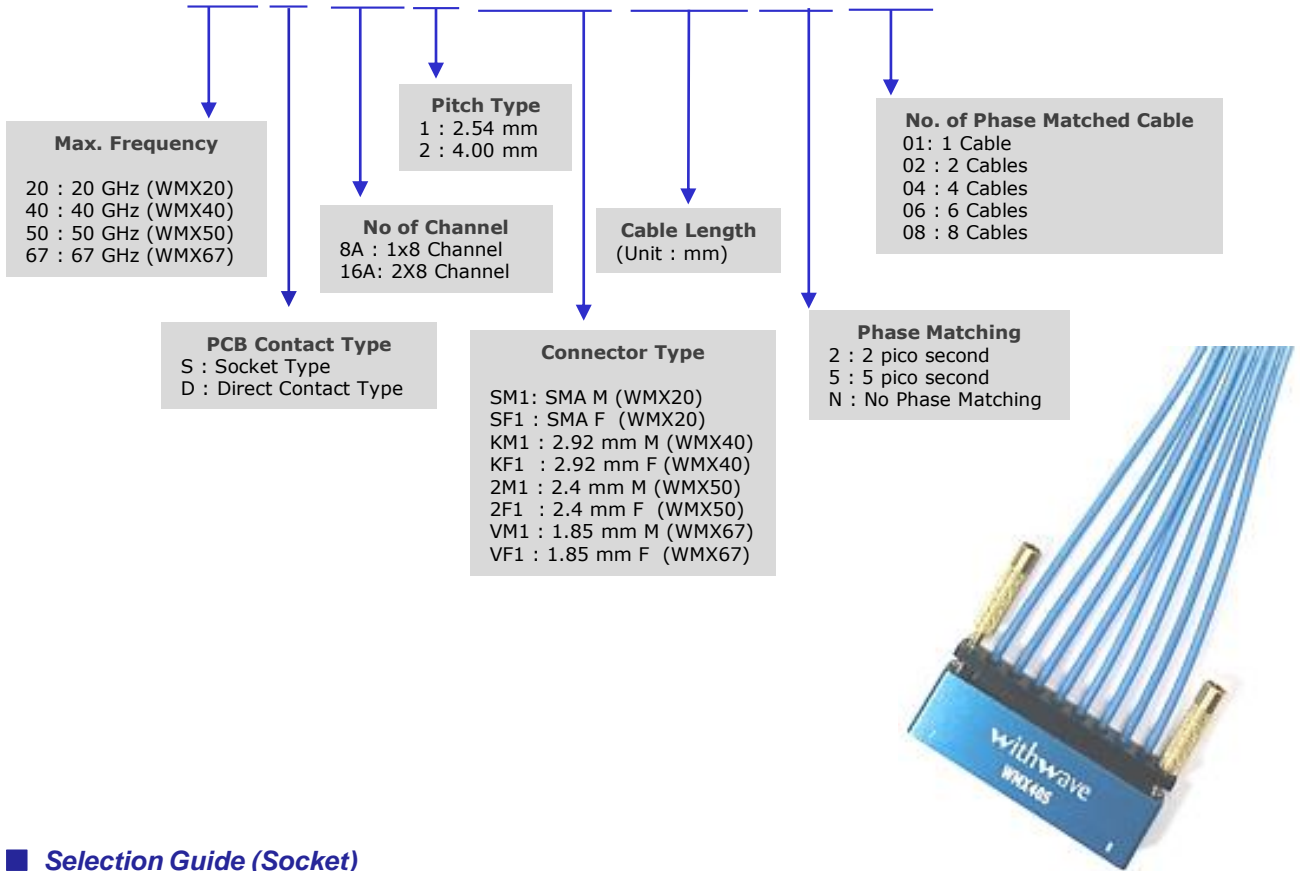


Cross-talk



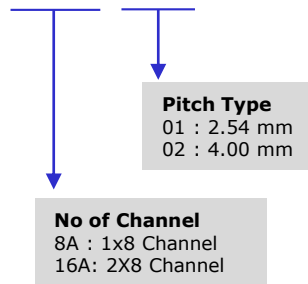
■ Selection Guide (WMX Series)

WMX40S-8A1-KM1-300-2-02

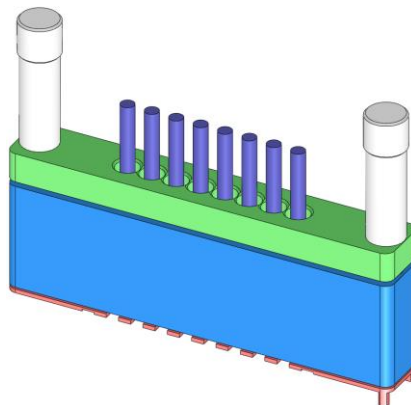
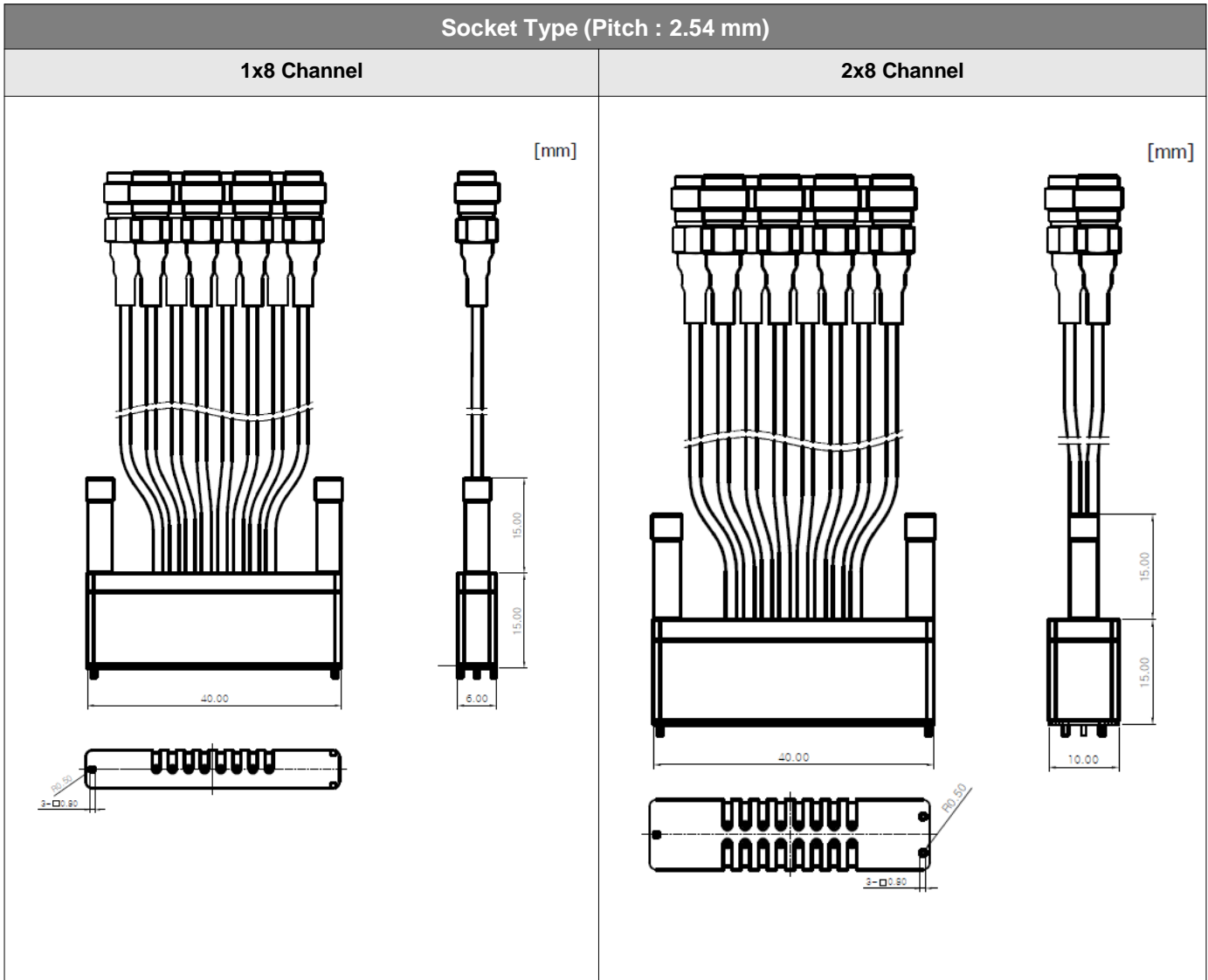


■ Selection Guide (Socket)

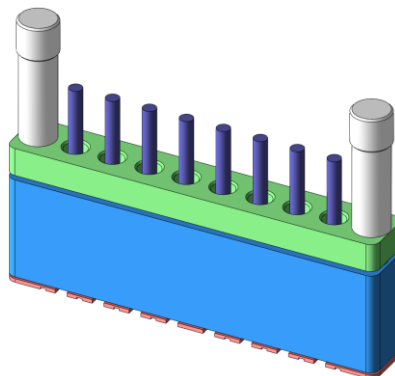
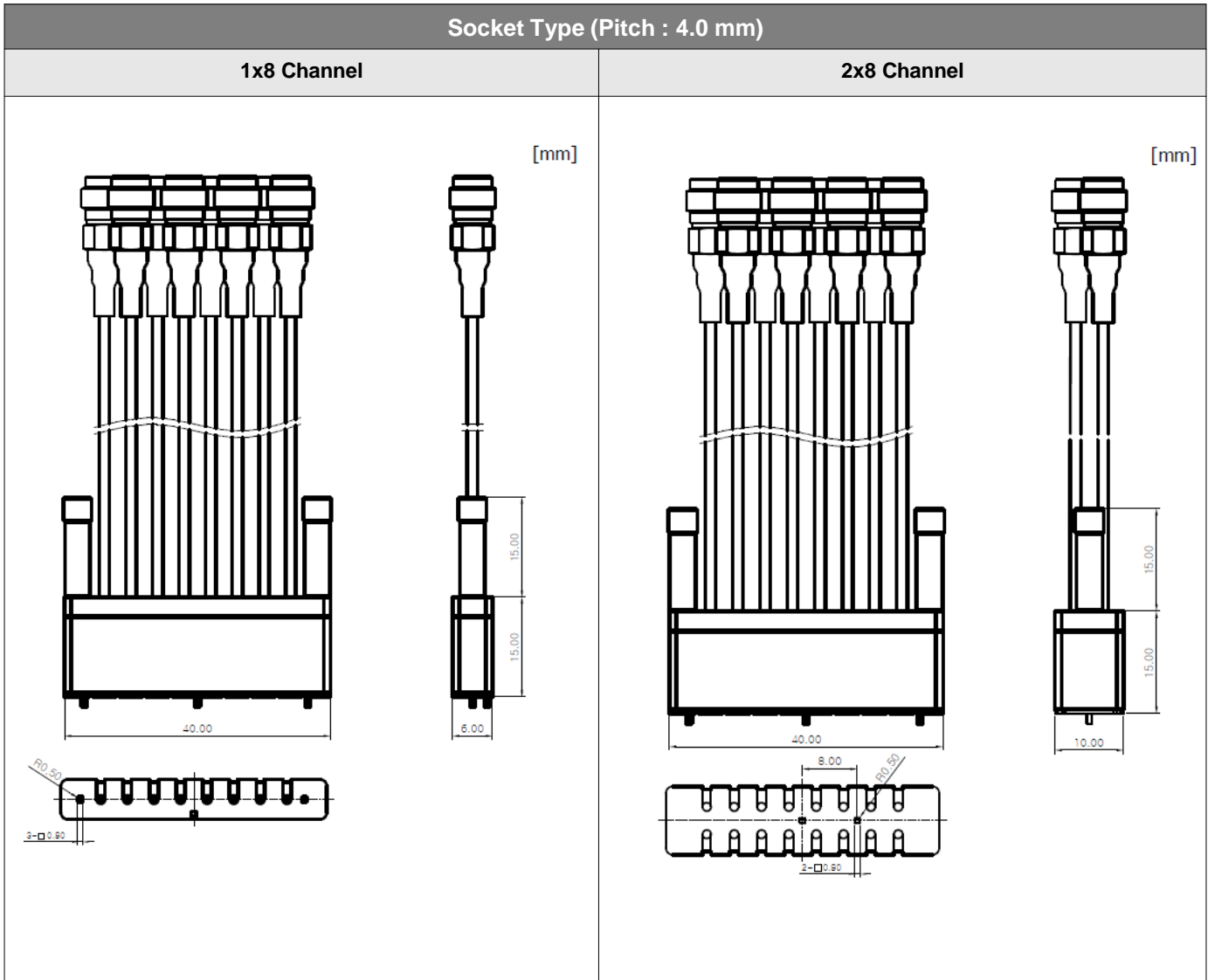
WMX-8A-01



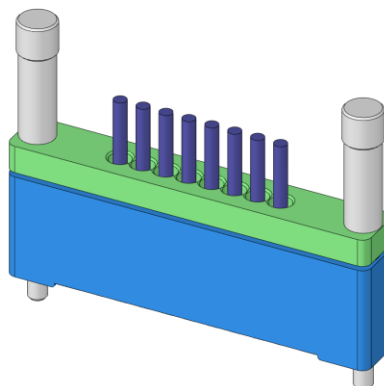
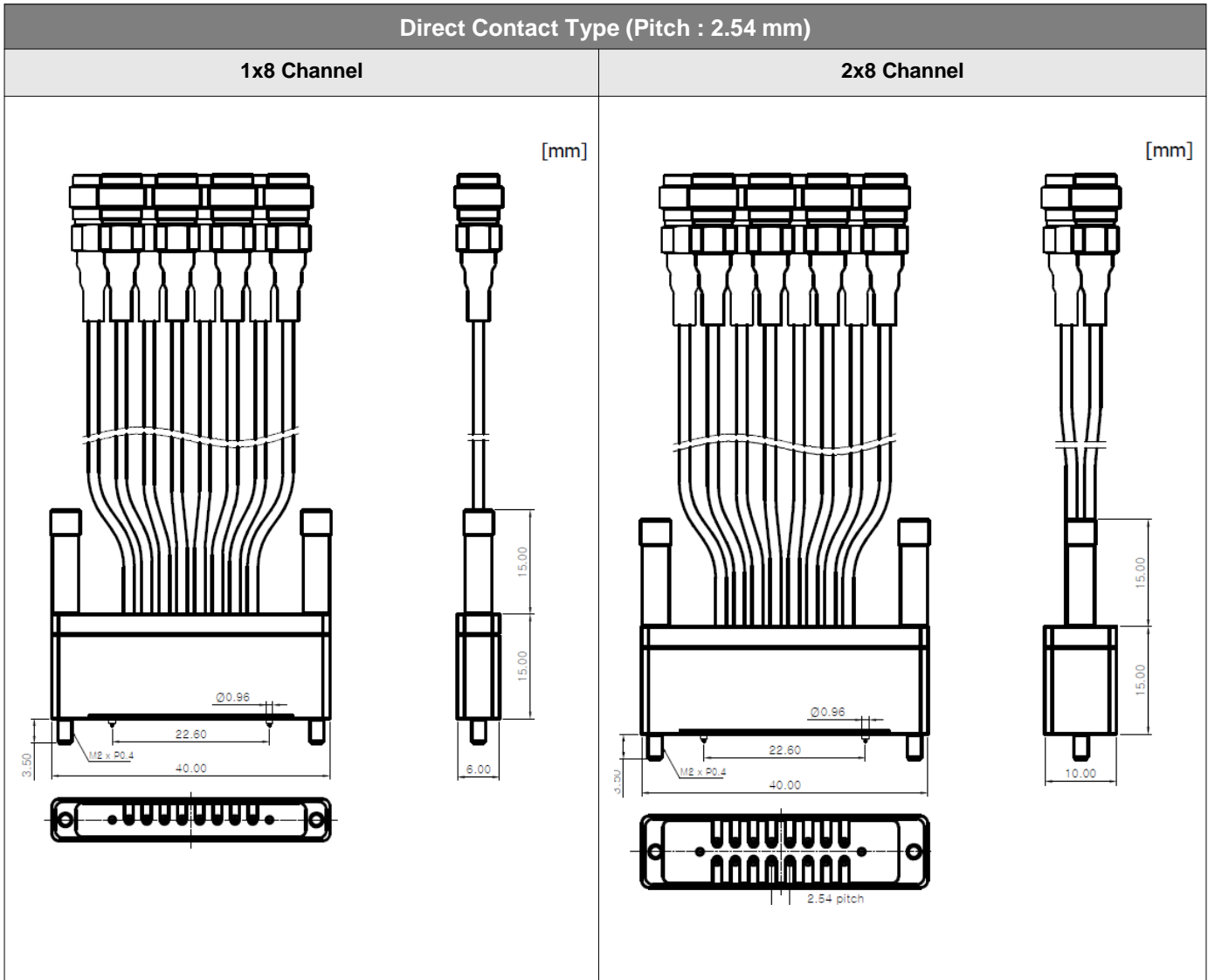
■ Drawing (WMX Series)



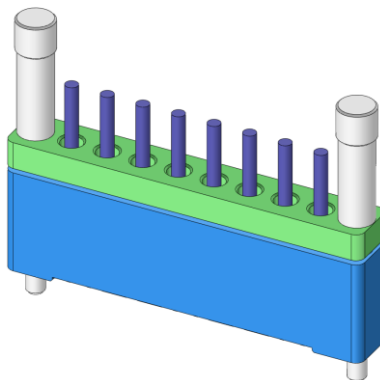
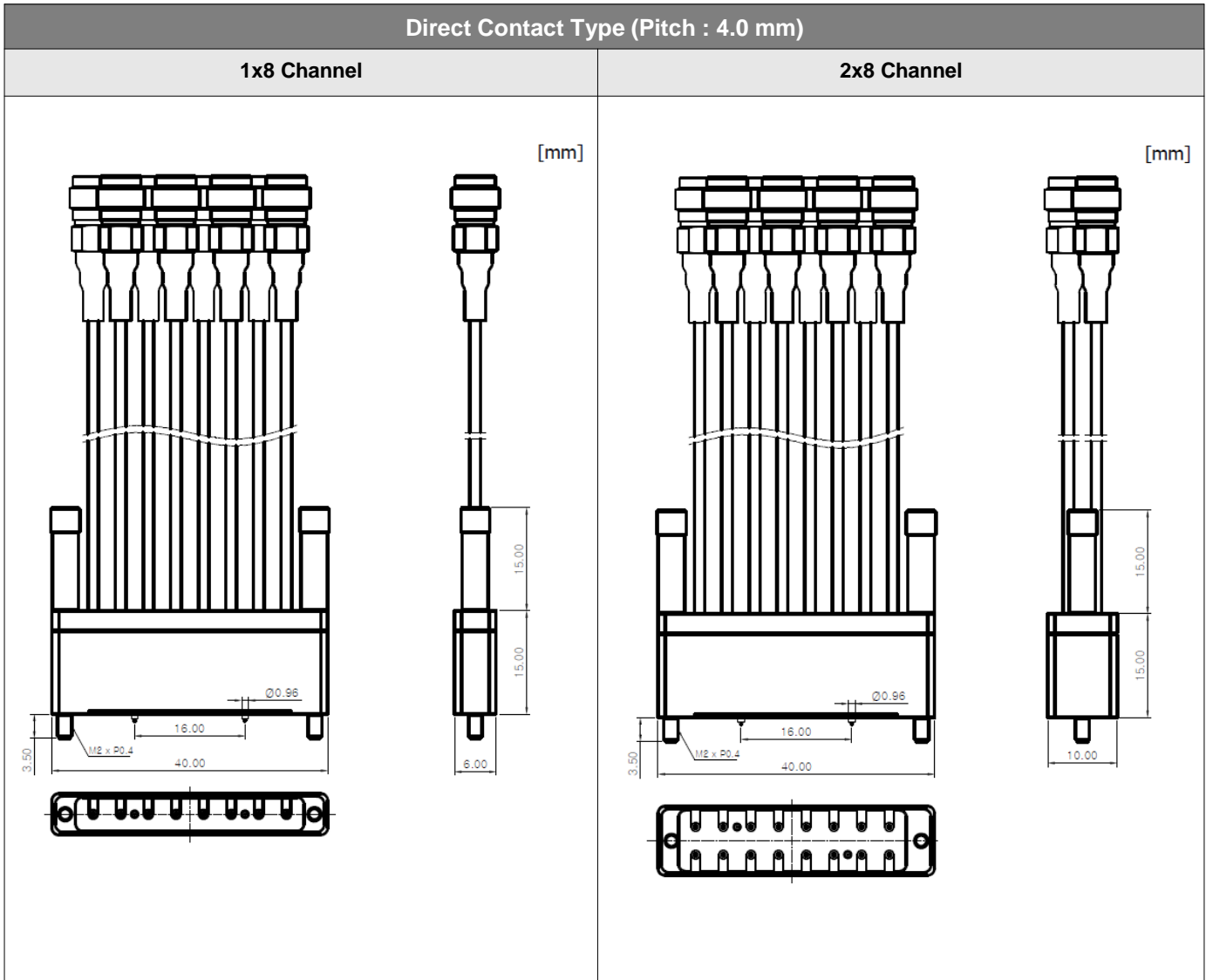
■ Drawing (WMX Series)



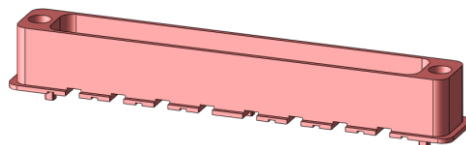
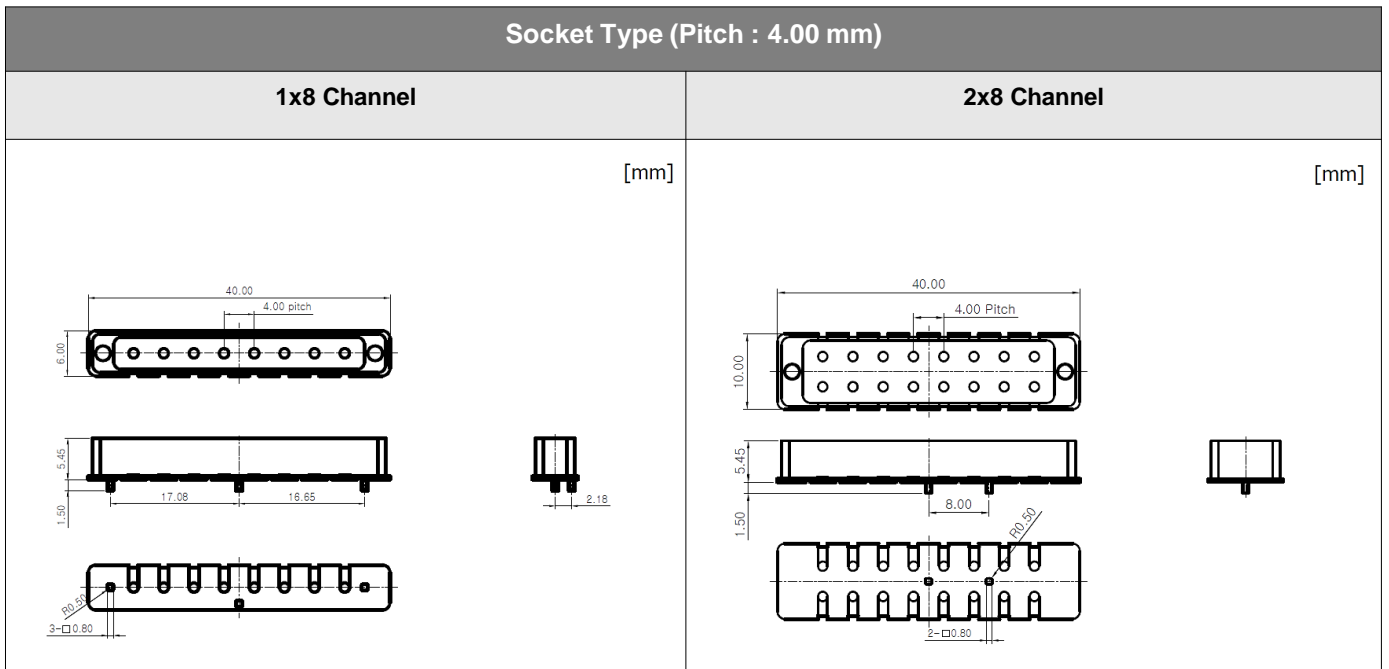
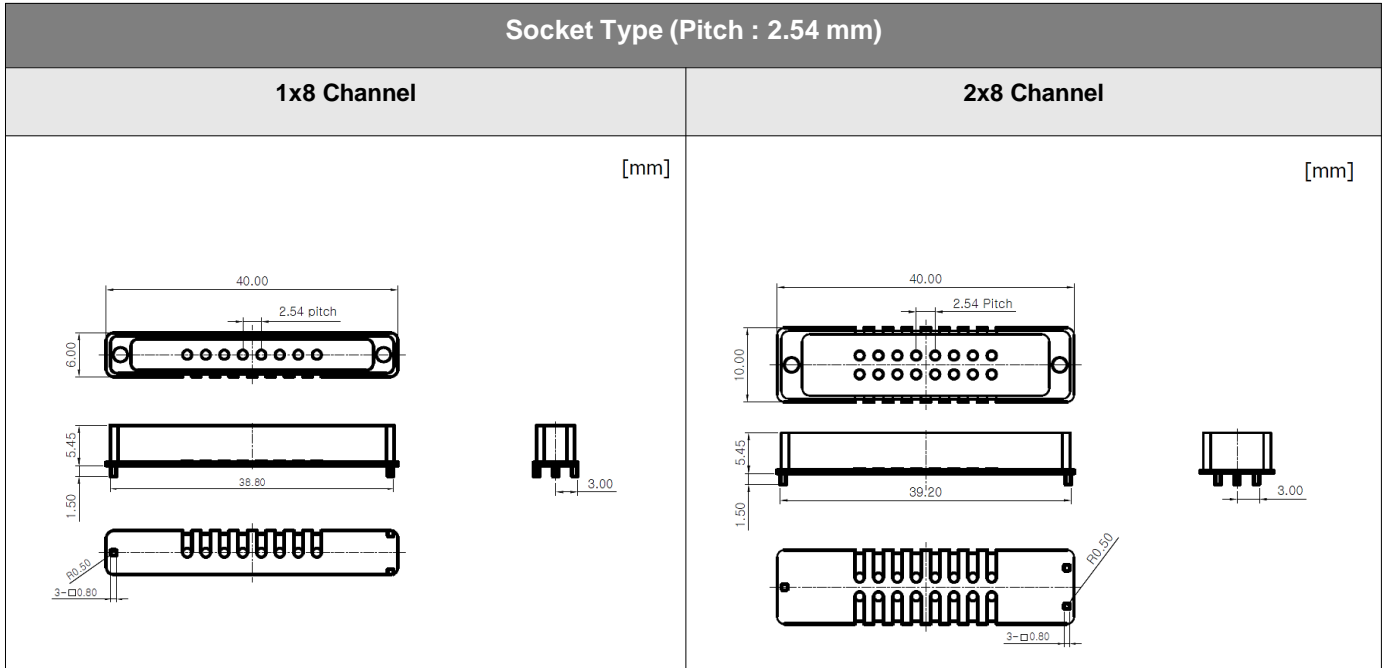
■ Drawing (WMX Series)



■ Drawing (WMX Series)



■ Drawing (Socket)



■ Cable Specification (WMC67)



Scope	WMC67			Specification
Electrical Properties	Operating Frequency Range (GHz)			67
	Impedance (Ohm)			50 ± 2
	Velocity of Propagation (%)			70
	Shielding effectiveness (dB)			>90
	Voltage Withstand(V, DC)			350
Material & Construction	Structure	Size (mm)	Material	
	1 Center Conductor	0.29	Solid Bare Copper	
	2 Dielectric	0.92	Solid PTFE	
	3 1 st Outer Shield	1.08	Flat Silver Plated Copper	
	4 2 nd Outer Shield	1.28	Alloy	
5 Jacket	1.53	FEP (Color : Skyblue)		
Mechanical And Environmental Performance	Weight (g/m)			7.2
	Operating Temperature Range (°C)			-55~+125
	Bend Radius : Installation (mm)			7.67
	Bend Radius : Repeated (mm)			14.20
Attenuation values	Freq MHz	dB /M	Average power kW	
	300	0.67	0.046	
	500	0.87	0.036	
	1000	1.24	0.025	
	3000	2.16	0.014	
	6000	3.08	0.010	
	10000	4.01	0.008	
	12400	4.48	0.007	
	16000	5.12	0.006	
	18000	5.44	0.006	
26500	6.66	0.005		
40000	8.29	0.004		

■ Revision History

Revision	Date	Changes
Ver 1.0	2019-06-24	Released WMX Series