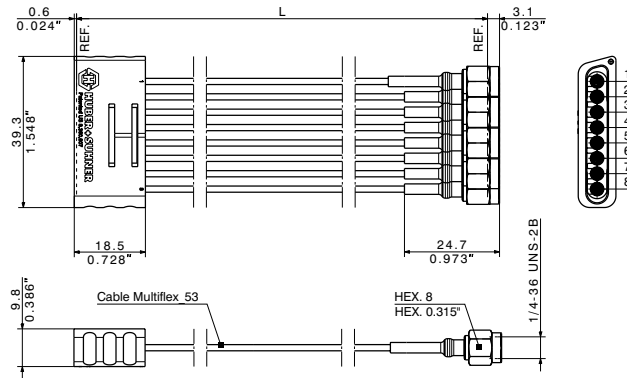
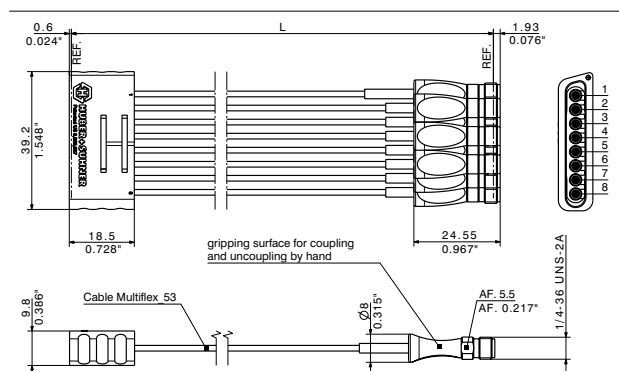


MXP40 - Cable assemblies

- Broad range of standard breakout assemblies
MXP-to-Suhner-K (2.92 mm) and jumper assemblies
MXP-to-MXP available
- Insertion loss ≤ 1.8 dB up to 40 GHz
for a 152 mm (6") assembly
- Customised assemblies on request
- Delivered with thin, high flexible and ultra-stable
HUBER+SUHNER MULTIFLEX 53-02 microwave cable
(see page 18 for technical data)



Type 1 x 8 ganged	Item no.	Length (L)	Notes
MF53/1x8A_21MXP/11SK/152	84097196	152 mm (6")	single channels numbered
MF53/1x8A_21MXP/11SK/229	84099600	229 mm (9")	
MF53/1x8A_21MXP/11SK/305	84099607	305 mm (12")	



Type 1 x 8 ganged	Item no.	Length (L)	Notes
MF53/1x8A_21MXP/21SK_ergo/152	84093980	152 mm (6")	single channels numbered with ergo grip on SK side please see low loss breakout system with SUCOFLEX test leads on page 15
MF53/1x8A_21MXP/21SK_ergo/229	84098899	229 mm (9")	
MF53/1x8A_21MXP/21SK_ergo/305	84098900	305 mm (12")	