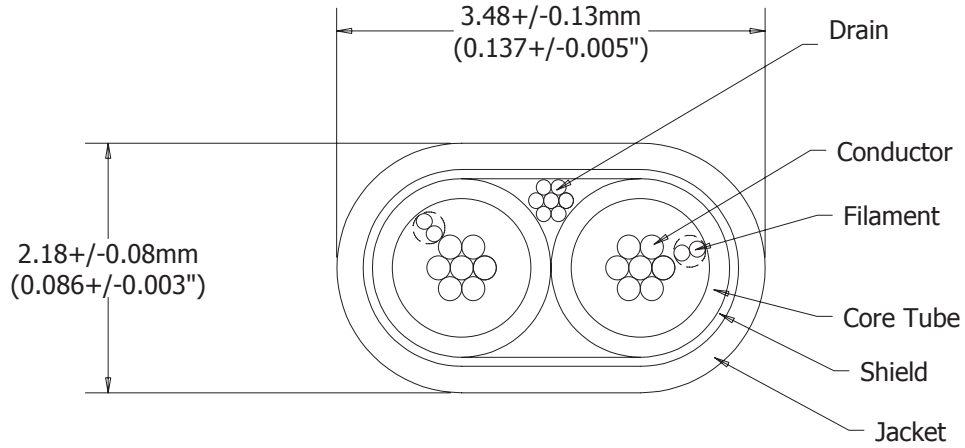


TITLE	PART No.	REV	PAGE
24 AWG, 100 Ohm Twin-Ax, FEP Jacket.	1000560008	A	1 of 1



NOTES

Conductor: 24 AWG, 7/32, Silver Plated Copper.

Filament: 2 @ PFA, Twisted in Pairs and Helically Wrapped around Conductor,
One Pair Blue, One Pair Green.

Core Tube: FEP, 1.45mm (0.057") Diameter.

Drain Wire: 28 AWG, Stranded Silver Plated Copper.

Shield: Aluminum/Polyester Foil Tape Wrap, 30% Min. Overlap.

Jacket: FEP, 0.25mm (0.010") Wall Thickness.

Color: Black.

Impedance: 100 +/- 7 ohms.

Capacitance: 11.7 pF/ft Ref.

Propagation Delay: 1.180 Ref.

Temperature Rating: -65C to 125C Ref.

This document is the property of TEMP-FLEX. If may not be disclosed, reproduced, or otherwise used without permission.	Rev	DCR	Description	App'd	Date
	4	4660	Update to New SAP P/N.	KP	9/10/15
	A	5269	Update Spec Template & Rev. To A.	KP	6/5/17