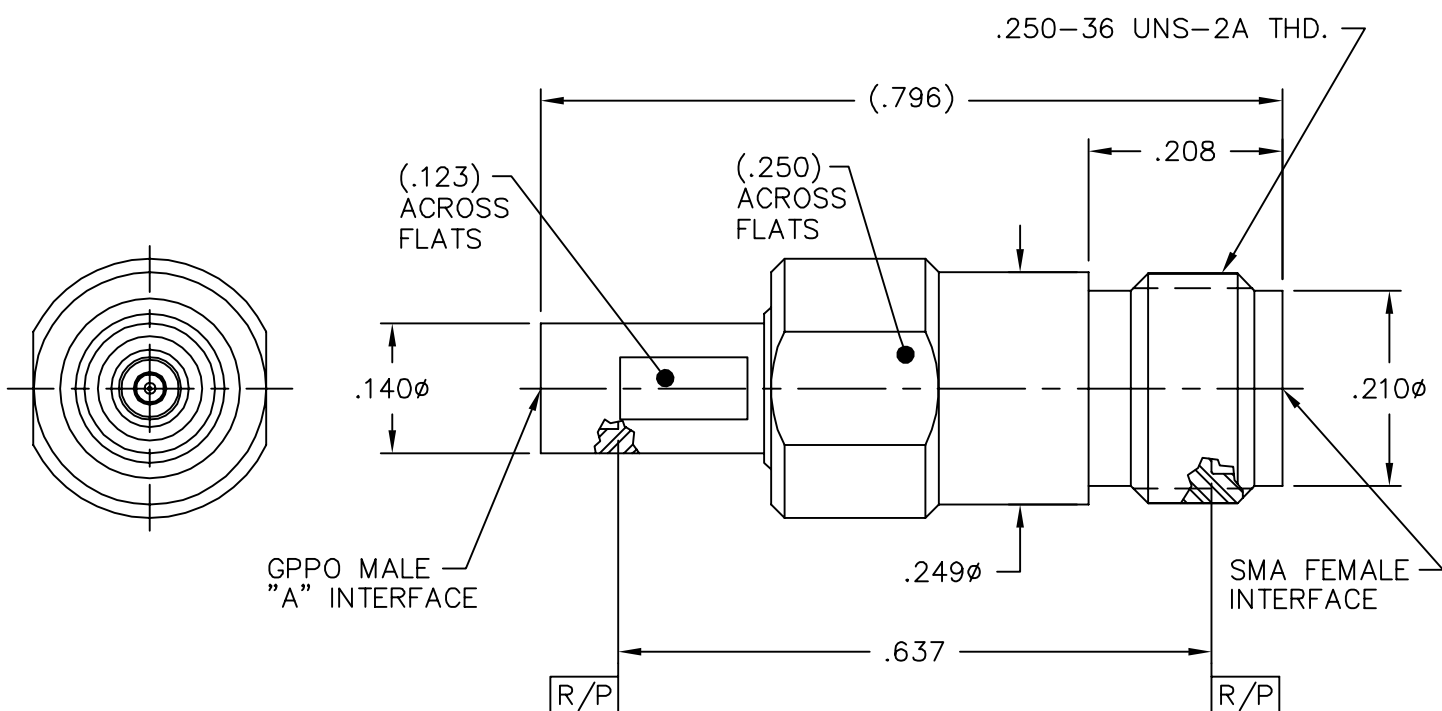
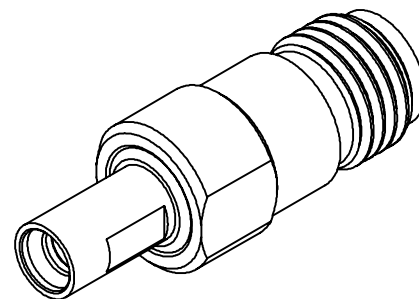


CATALOG NUMBER	"A" INTERFACE
1B3F1-0503-01	FULL DETENT
1B5F1-0503-01	SMOOTH BORE

MATERIAL AND FINISH

OUTER CONDUCTOR AND JACK HOUSING: CRES 303; PASSIVATED
 PIN CONTACT: BeCu; GOLD PLATE 50-100 MICRONS OVER NICKEL PLATE 50 MICRONS MIN.
 DIELECTRICS: VIRGIN PTFE



This drawing and any data contained herein is the property of Corning Gilbert Inc., and constitutes and contains proprietary and confidential information. Neither receipt nor possession of this drawing confers or transfers any right to duplicate, use or disclose any information contained herein except as expressly authorized by Corning Gilbert Inc.

GPPO MALE TO
 SMA JACK ADAPTER
 (TAB DETENT)

IDENT CODE:

82316

REVISION: F

Corning Gilbert Inc.

SOURCE FILE: MECR# 2803

DWG. NO.: OL-1BXF1-0503-01

ASSY. PROC.: -